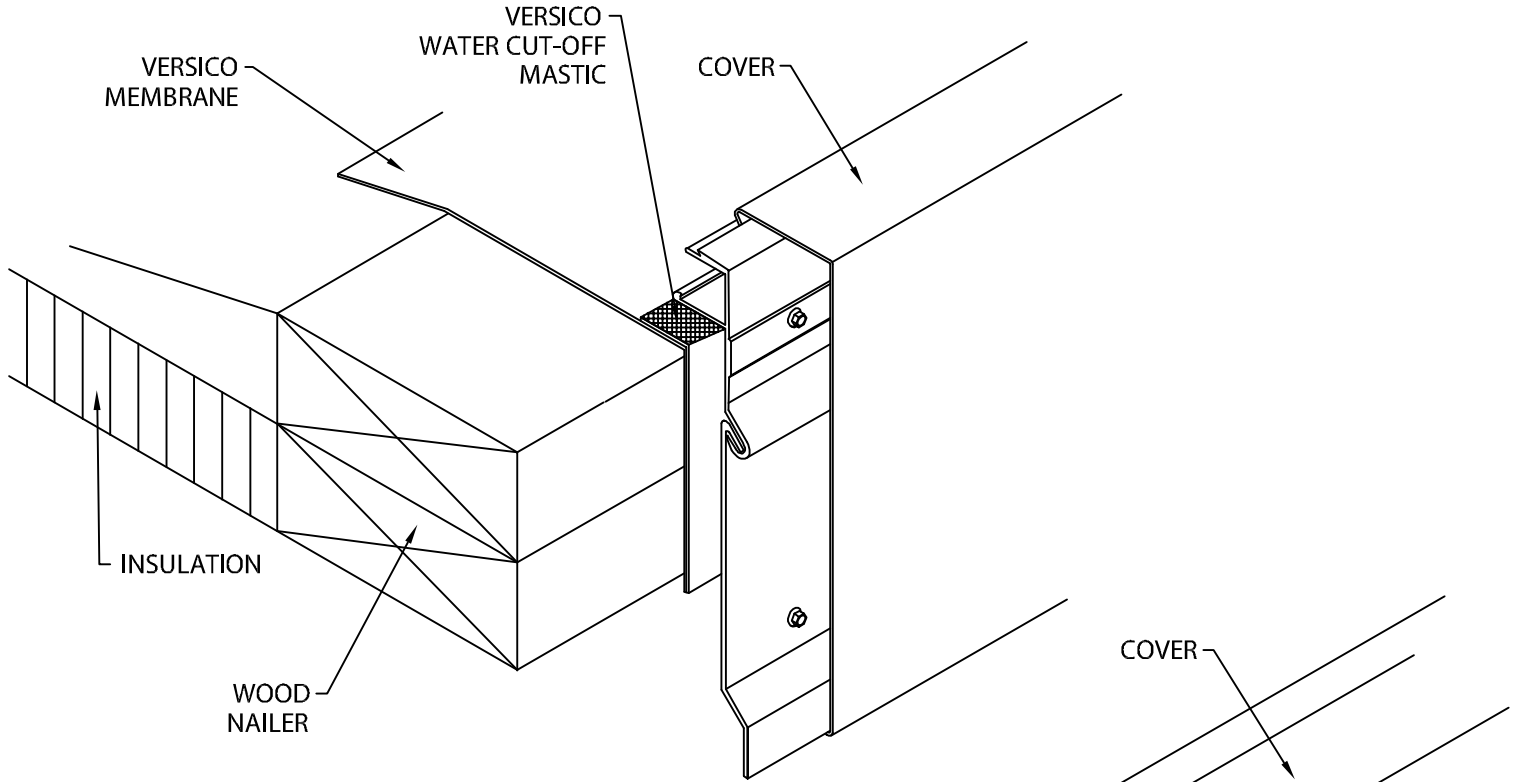




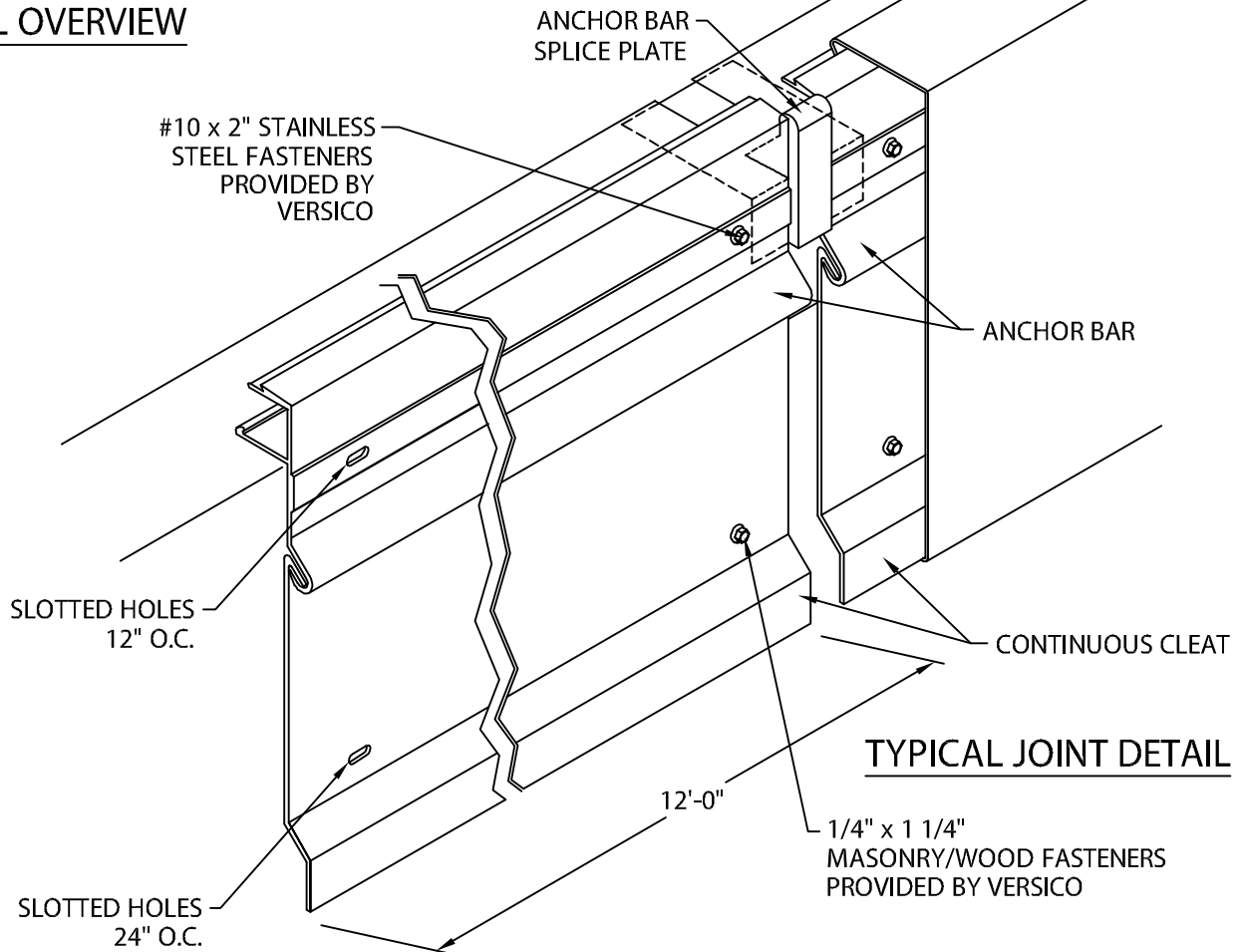
VERSITRIM 2000 EXTENDED FASCIA

FULLY ADHERED OR MECHANICALLY ATTACHED SINGLE-PLY VERSION

DETAILS



TYPICAL OVERVIEW



TYPICAL JOINT DETAIL



Customer Service
800-558-2162

DATE: 03/04/17
DRN BY: JJC
CKD BY: SAK

SHT.# ___ OF ___
DWG# 18510-2032

E