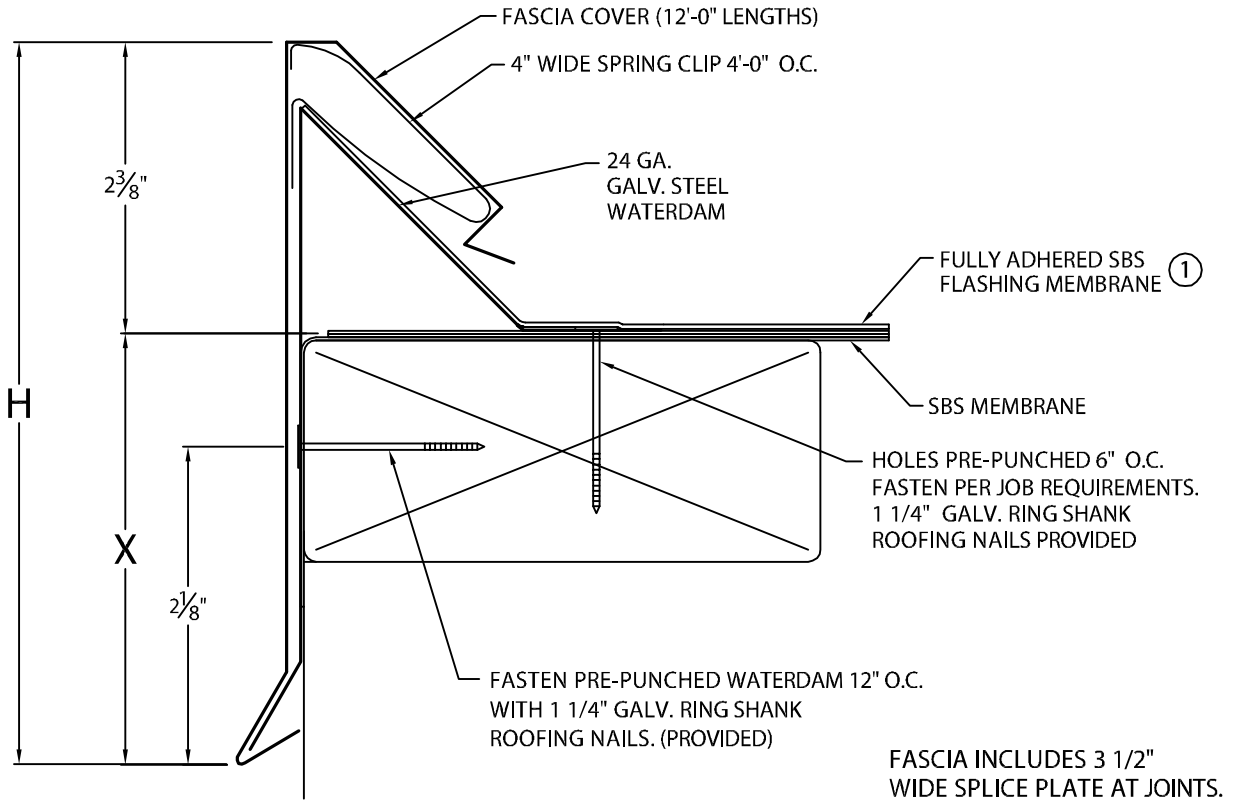




SOPRA-TITE MODIFIED 300 FASCIA

MODIFIED APPLICATION, SNAP-ON VERSION



- ① STANDARD FASCIA WILL NOT FUNCTION WITH ROOF FLASHING THICKER THAN $\frac{3}{16}$ ".
- ② OIL CANNING CAN OCCUR ON LARGER FACE HEIGHTS. RECOMMEND .050" OR .063" FOR FACE HEIGHTS ABOVE $8\frac{1}{4}$ ".
- ③ WELDED ACCESSORIES REQUIRE A MINIMUM OF MATERIAL THICKNESS OF .050"

NOTE: -- UNLESS OTHERWISE NOTED, FABRICATION OF MITERS AND ACCESSORIES ARE FURNISHED STANDARD.

MATERIAL:

24 GA. GALV. STEEL ② .050" ALUMINUM
 .040" ALUMINUM ② .063" ALUMINUM
 OTHER _____

COLOR: _____ FINISH: _____

QUANTITIES:

_____ LINEAL FEET 12'-0" LENGTHS
 _____ OUTSIDE MITER(S) @ 90°
 _____ INSIDE MITER(S) @ 90° SPECIFY ACCESSORY TYPE:
 _____ RIGHT ENDCAP(S) WELDED ③
 _____ LEFT ENDCAP(S) STANDARD
 _____ RIGHT ENDWALL FLASHING(S)
 _____ LEFT ENDWALL FLASHING(S)
 _____ OVERFLOW SCUPPER(S) STYLE___A___B
 _____ SPILLOUT SCUPPER(S) STYLE___A___B
 _____ DOWNSPOUT SCUPPER(S) STYLE___A___B
 (____X____) SIZE A: TAPERED 1 1/2" DROP
 B: FLAT
 FOR NON-90 MITERS SEE PRINT APPROVAL #33010-20199

SOPRA-TITE MODIFIED 300 FASCIA DIMENSIONS

PRODUCT ID. NO.	H DIM	X DIM	NAILER COVERAGE
<input type="checkbox"/> FA-350	5 1/4"	2 7/8"	1 NAILER
<input type="checkbox"/> FA-365	6 3/4"	4 3/8"	2 NAILERS
<input type="checkbox"/> FA-380	8 1/4"	5 7/8"	3 NAILERS
<input type="checkbox"/> FA-395	9 3/4"	7 3/8"	4 NAILERS
<input type="checkbox"/> FA-3110	11 1/4"	8 7/8"	5 NAILERS
<input type="checkbox"/> FA-3125	12 3/4"	10 3/8"	6 NAILERS

ANSI/SPRI/FM 4435/ ES-1 DESIGN PRESSURE
 FA-50 TO FA-80 IN 24 GA. OR .040" - 196 psf
 FA-50 TO FA-80 IN .050 OR .063" - 216 psf
 FA-95 TO FA-125 IN .050 OR .063" - 116 psf

AUTHORIZED SIGNATURE:

APPROVED BY: _____

DATE: _____

PROJECT: _____

ARCHITECT: _____

ROOFING CONTRACTOR: _____

REPRESENTATIVE/DISTRIBUTOR: _____

800-356-3521
www.soprema.us

310 Quadral Dr.
Wadsworth, OH 44281
f: 330-334-6257

DATE: 01/09/17
DRN BY: JJC
CKD BY: SAK

SHT.# ___ OF ___
DWG# 33010-17550 F