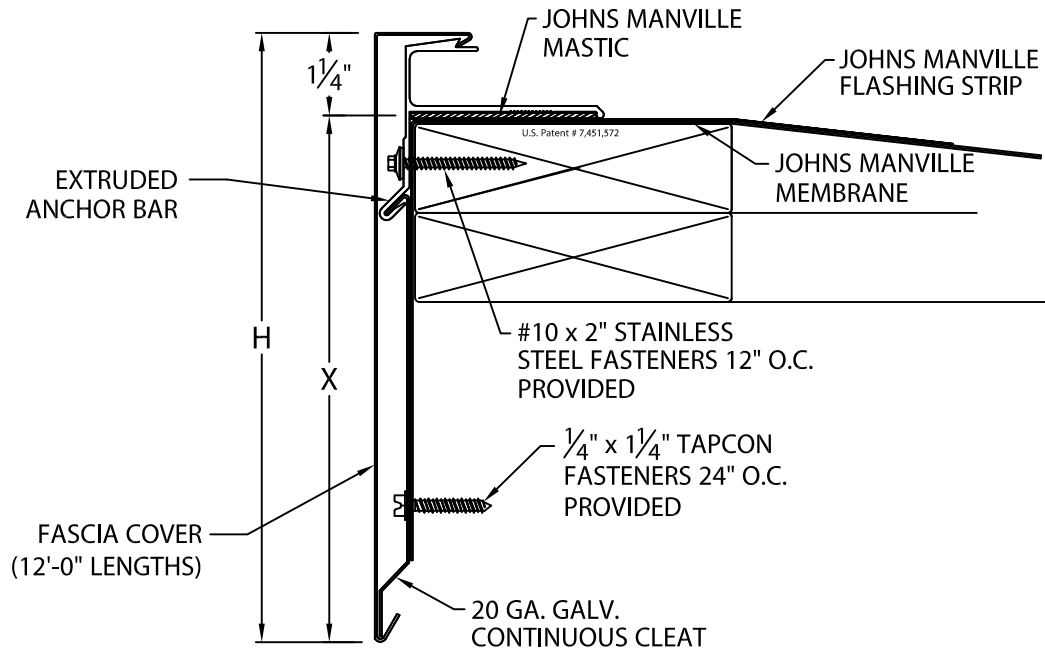




# PRESTO-TITE LARGE FACE HEIGHT FASCIA

BUILT-UP OR MODIFIED VERSION

ANSI/SPRI ES-1 DESIGN PRESSURE OF 176 psf



NOTE: 3/2" SPLICE PLATES PROVIDED AT ALL JOINTS

### PRESTO-TITE LARGE FACE HEIGHT FASCIA DIMENSIONS

PRODUCT ID. NO.	H DIM	X DIM
<input type="checkbox"/> AEFM-85	8 1/2"	7 1/4"
<input type="checkbox"/> AEFM-100	10"	8 3/4"
<input type="checkbox"/> AEFM-115	11 1/2"	10 1/4"
<input type="checkbox"/> AEFM-130	13"	11 3/4"

### MATERIAL:

\_\_\_ 22 GA. GALV. STEEL     \_\_\_ .063" ALUMINUM  
 \_\_\_ .050" ALUMINUM     \_\_\_ OTHER \_\_\_\_\_  
 COLOR: \_\_\_\_\_ FINISH: \_\_\_\_\_

Fabrication will proceed only after receipt of signed print approval.

## Print Approval:

Architect and/or contractor shall verify all dimensions, sizes and quantities. All products to be installed in strict accordance with Johns Manville's printed instructions.

Approved by: \_\_\_\_\_  
 Date: \_\_\_\_\_

### QUANTITIES:

\_\_\_\_\_ LINEAL FEET 12'-0" LENGTHS  
 \_\_\_\_\_ OUTSIDE MITER(S) @ 90°  
 \_\_\_\_\_ INSIDE MITER(S) @ 90°  
 \_\_\_\_\_ OVERFLOW SCUPPER(S) STYLE \_\_\_A\_\_\_B  
 \_\_\_\_\_ SPILLOUT SCUPPER(S) STYLE \_\_\_A\_\_\_B  
 \_\_\_\_\_ DOWNSPOUT SCUPPER(S) STYLE \_\_\_A\_\_\_B  
 (\_\_\_\_X\_\_\_\_) SIZE    A: TAPERED 1 1/2" DROP  
                                       B: FLAT

FOR NON-90 MITERS SEE PRINT APPROVAL #16010-2320

PROJECT:

ARCHITECT:

ROOFING CONTRACTOR:

REPRESENTATIVE/DISTRIBUTOR:

51 Lexington Street; Lewiston, ME 04240  
 CUSTOMER SERVICE: 800-223-8317 USA  
                                       800-445-1500 Canada  
 TECHNICAL SERVICE: 800-445-1500 USA & Canada  
 FAX: 207-784-0125  
 OTHER AREAS CALL: 207-784-0123



DATE: 03/06/19

DRN BY: ZS

CKD BY: SAK

SHT.# \_\_\_ OF \_\_\_

DWG# 16010-2126

J