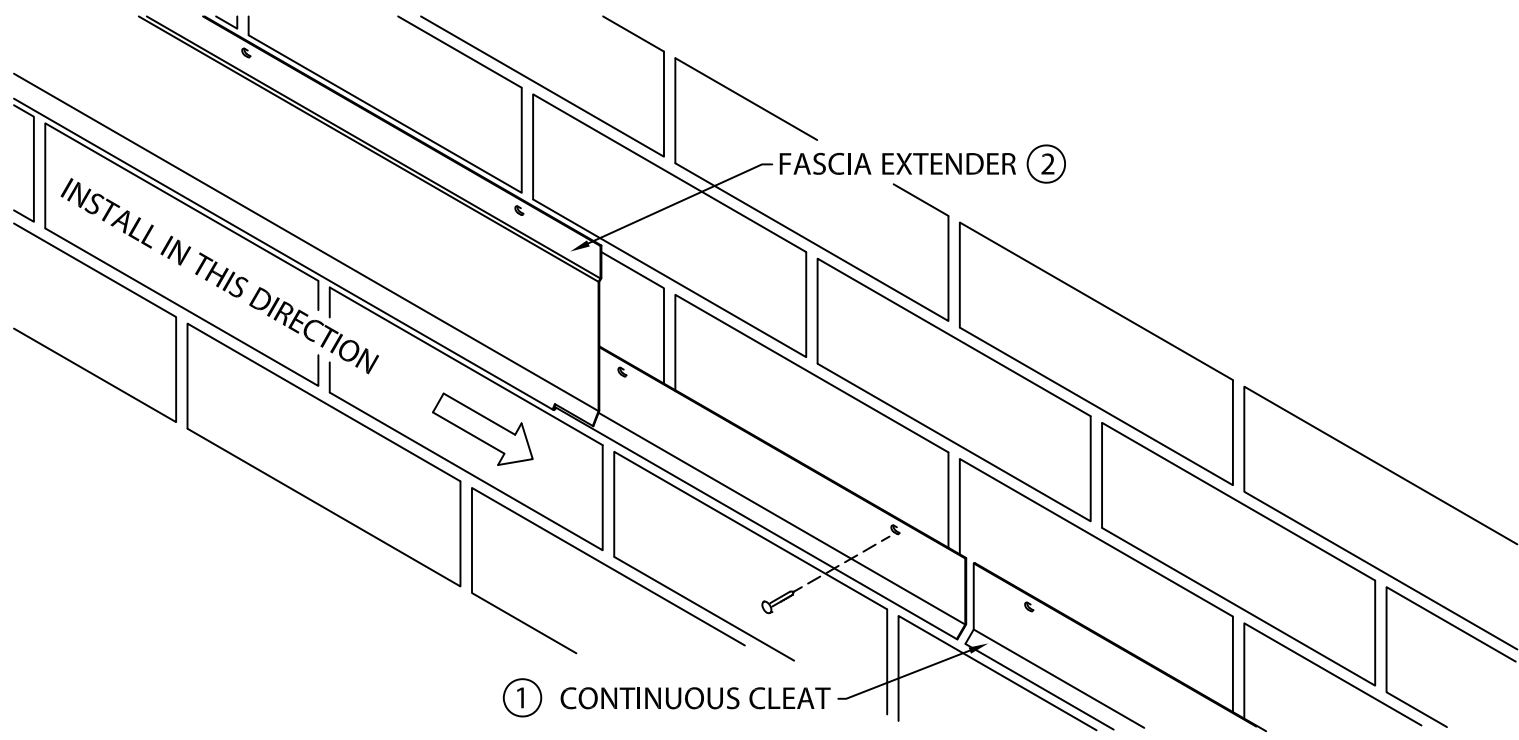


FASCIA EXTENDER

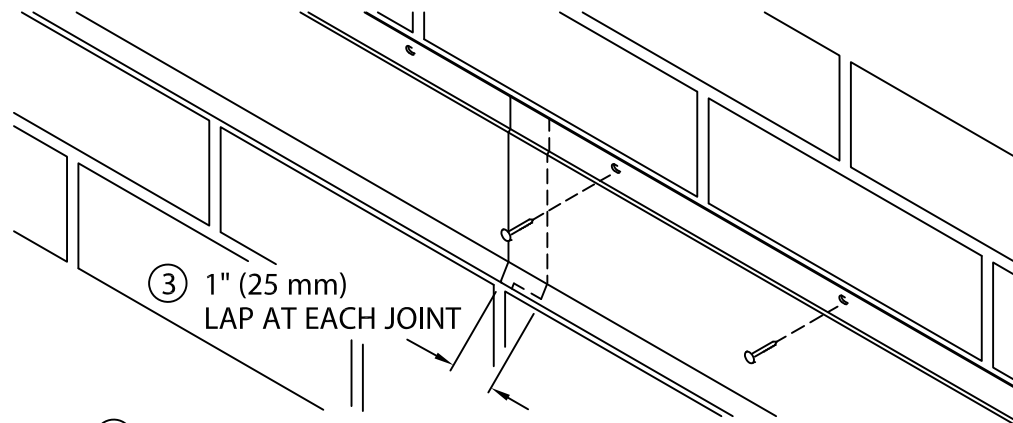
LAP JOINT VERSION

INSTALLATION INSTRUCTIONS

NOTE : INSTALL MITERS FIRST.

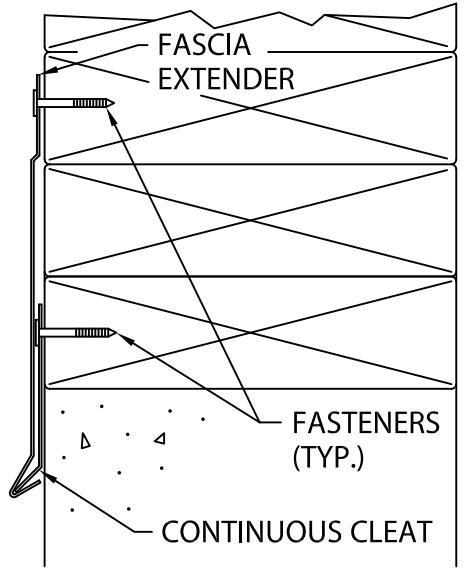


- STEP (1) - CAREFULLY POSITION AND FASTEN CONTINUOUS CLEAT 12" (305 mm) O.C. AS SHOWN WITH APPROPRIATE FASTENERS. CLEAT SHALL BE INSTALLED TRUE AND LEVEL.
- STEP (2) - HOOK DRIP EDGE OF EACH FASCIA EXTENDER ONTO CONTINUOUS CLEAT AND FASTEN WITH APPROPRIATE FASTENERS AT 12" (305 mm) O.C.



- STEP (3) - CONTINUE BY INSTALLING FASCIA EXTENDER PANELS RIGHT TO LEFT (AS SEEN FROM ROOFTOP). LAP ENDS OF PANELS 1" (25 mm) AT NOTCH PROVIDED. FIELD CUT AS NECESSARY.
- CAUTION : REMOVE PROTECTIVE FILM IMMEDIATELY AFTER INSTALLATION. INSTALLERS SHALL WEAR PROTECTIVE EYEWEAR TO PREVENT INJURY.

TYPICAL INSTALLATION
(Substrate may vary per job conditions.)



Phone: 800-588-2162
Fax: 800-373-9156
www.metalera.com/genflex

DATE: 03/11/21
DRN BY: JJC
CKD BY: MM

SHT.# ___ OF ___
DWG# 22114-2410

C