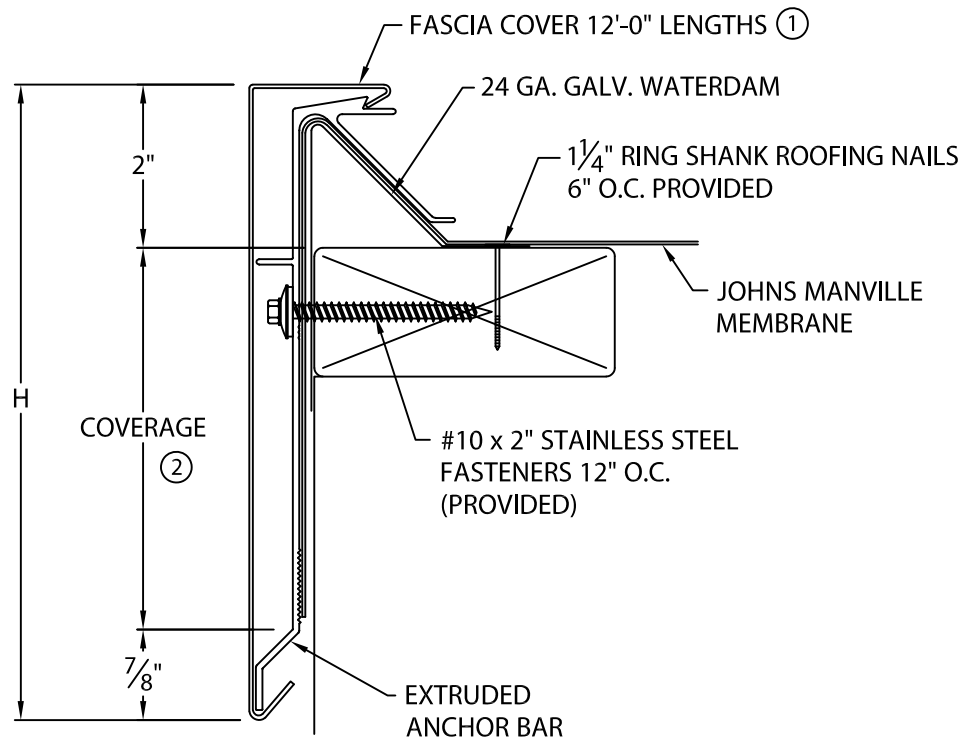




PRESTO-TITE CANTED FASCIA

GALVANIZED WATERDAM VERSION

ANSI/SPRI ES-1 TESTED



- ① FASCIA COVER PROVIDED WITH 3½" WIDE SPLICE PLATES. ② TYPICALLY COVERAGE SHOULD EXTEND A MIN. OF 1½" BELOW WOOD BLOCKING IF APPLICABLE.
 ③ NOT AVAILABLE IN 24 GA. GALV. STEEL OR .040" ALUMINUM. ④ EXTRUDED BAR VARIES IN DESIGN AT LOWER KICK.

NOTES:

PRESTO-TITE CANTED FASCIA DIMENSIONS

PRODUCT ID. NO.	H DIM	COVERAGE
<input type="checkbox"/> AEFC-552 ④	5½"	2⅝"
<input type="checkbox"/> AEFC-752	7½"	4⅝"
<input type="checkbox"/> AEFC-852	8½"	5⅝"
<input type="checkbox"/> AEFC-1002 ③	10"	7⅞"

MATERIAL:

___ 24 GA. GALVANIZED STEEL COLOR: _____
 ___ 22 GA. GALVANIZED STEEL FINISH: _____
 ___ .040" ALUMINUM
 ___ .050" ALUMINUM
 ___ .063" ALUMINUM
 ___ OTHER _____

QUANTITIES:

_____ LINEAL FEET 12'-0" LENGTHS
 _____ OUTSIDE MITER(S) @ 90°
 _____ INSIDE MITER(S) @ 90°
 _____ OVERFLOW SCUPPER(S) STYLE ___A___B
 _____ SPILLOUT SCUPPER(S) STYLE ___A___B
 _____ DOWNSPOUT SCUPPER(S) STYLE ___A___B
 (___x___) DOWNSPOUT SIZE A: TAPERED 1 1/2" DROP B: FLAT
 FOR NON-90 MITERS SEE PRINT APPROVAL #16010-2320

Fabrication will proceed only after receipt of signed print approval.

Print Approval:

Architect and/or contractor shall verify all dimensions, sizes and quantities. All products to be installed in strict accordance Johns Manville's printed instructions.

Approved by: _____

Date: _____

PROJECT:

ARCHITECT:

ROOFING CONTRACTOR:

REPRESENTATIVE/DISTRIBUTOR:

51 Lexington Street; Lewiston, ME 04240
 CUSTOMER SERVICE: 800-223-8317 USA
 800-445-1500 Canada
 TECHNICAL SERVICE: 800-445-1500 USA & Canada
 FAX: 207-784-0125
 OTHER AREAS CALL: 207-784-0123



DATE: 01/28/20	SHT.# ___ OF ___
DRN BY: JJC	DWG# 16010-2558
CKD BY: JAI	

