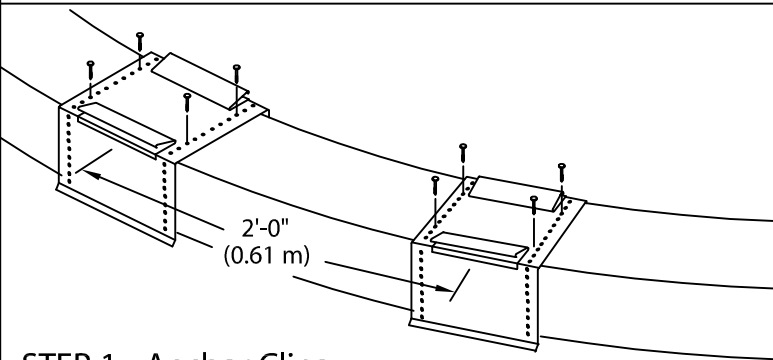


# DOW RADIUS COPING

FLAT OR TAPERED VERSION - 2'-0" O.C.

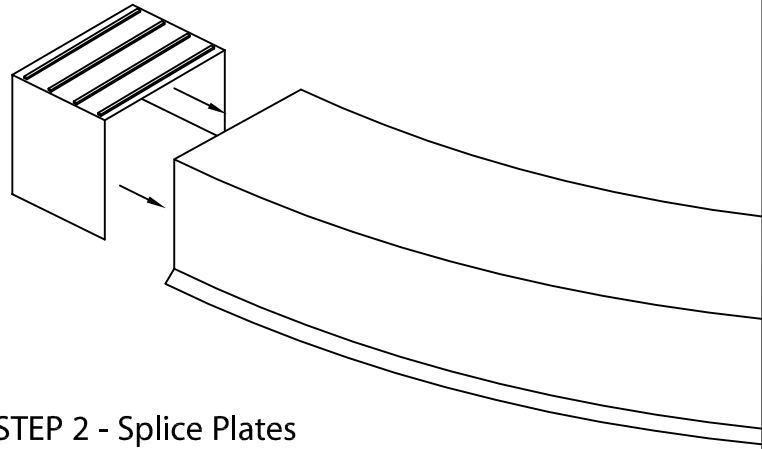
## INSTALLATION INSTRUCTIONS

**NOTE:** Position roof membrane on top of the wall covering the treated wood nailer(s) or substrate completely. Allow 1/2" minimum excess membrane beyond nailer where applicable. NRCA Requirement.



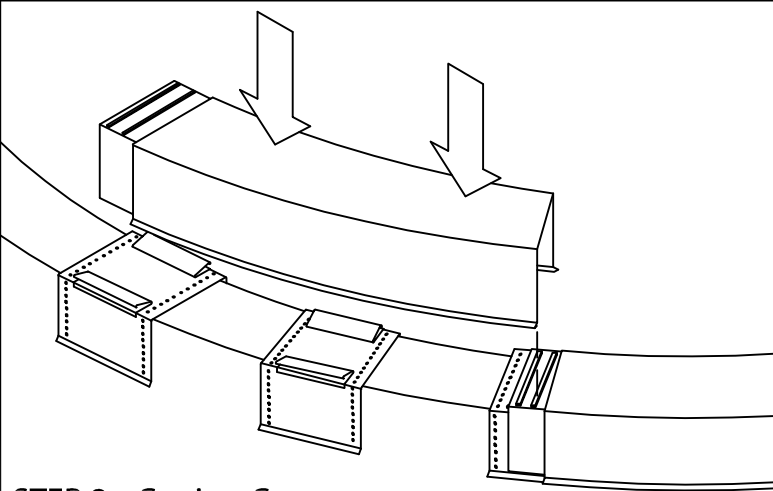
### STEP 1 - Anchor Clips

Locate and fasten 8" wide anchor clips at 2'-0" (0.61 m) O.C. with provided #9 x 1 1/2" (38 mm) fasteners for substrate using the third full hole from bend (see detail A)



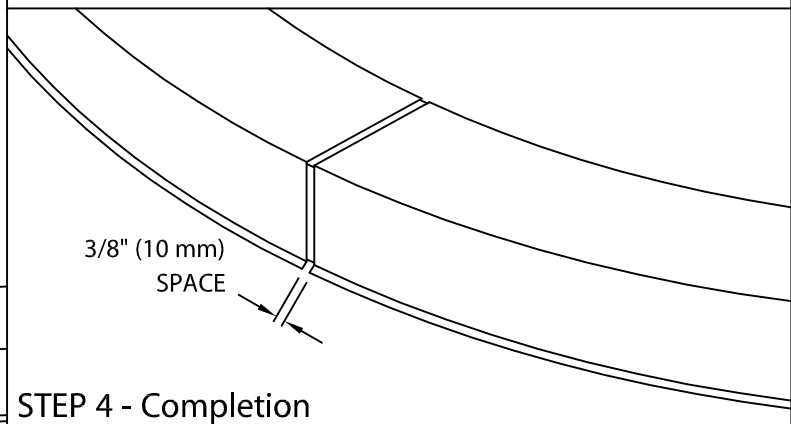
### STEP 2 - Splice Plates

Remove release paper from left two sealant strips. Insert splice plate into the right end of radius section.



### STEP 3 - Coping Cover

Remove release paper from right two factory applied sealant strips on the splice plate in the coping section. Install 4'-0" (1.22 m) radius coping sections from left to right. Place coping into position and press downward until snap-lock occurs.

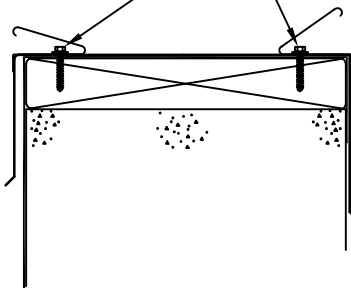


### STEP 4 - Completion

Continue installing coping with a 3/8" (10 mm) space at splice joints to allow for thermal expansion. Field cut where necessary using a fine tooth hacksaw or snips.

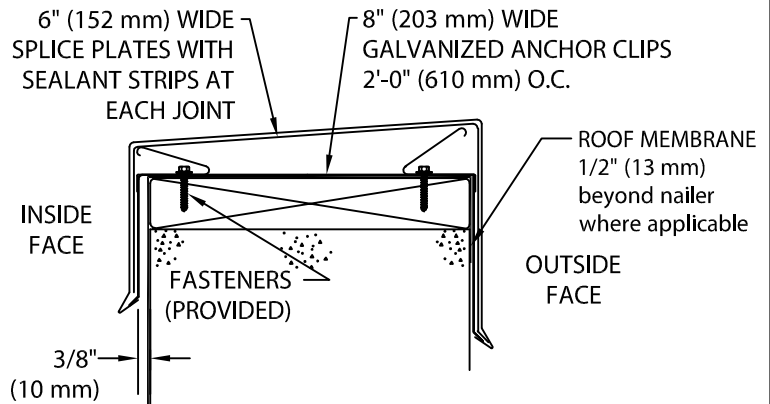
**NOTE:** REMOVE PROTECTIVE FILM IMMEDIATELY.

LOCATE FASTENERS IN THIRD FULL HOLE FROM BEND



ANCHOR CLIP FASTENING-DETAIL A

### TYPICAL COPING INSTALLATION



ROOFING SYSTEMS

P: 800-621-ROOF

DATE: 02/25/09

DRN BY: JJC

CKD BY: SAK

SHT.# \_\_\_ OF \_\_\_

DWG# 12111-4061

C