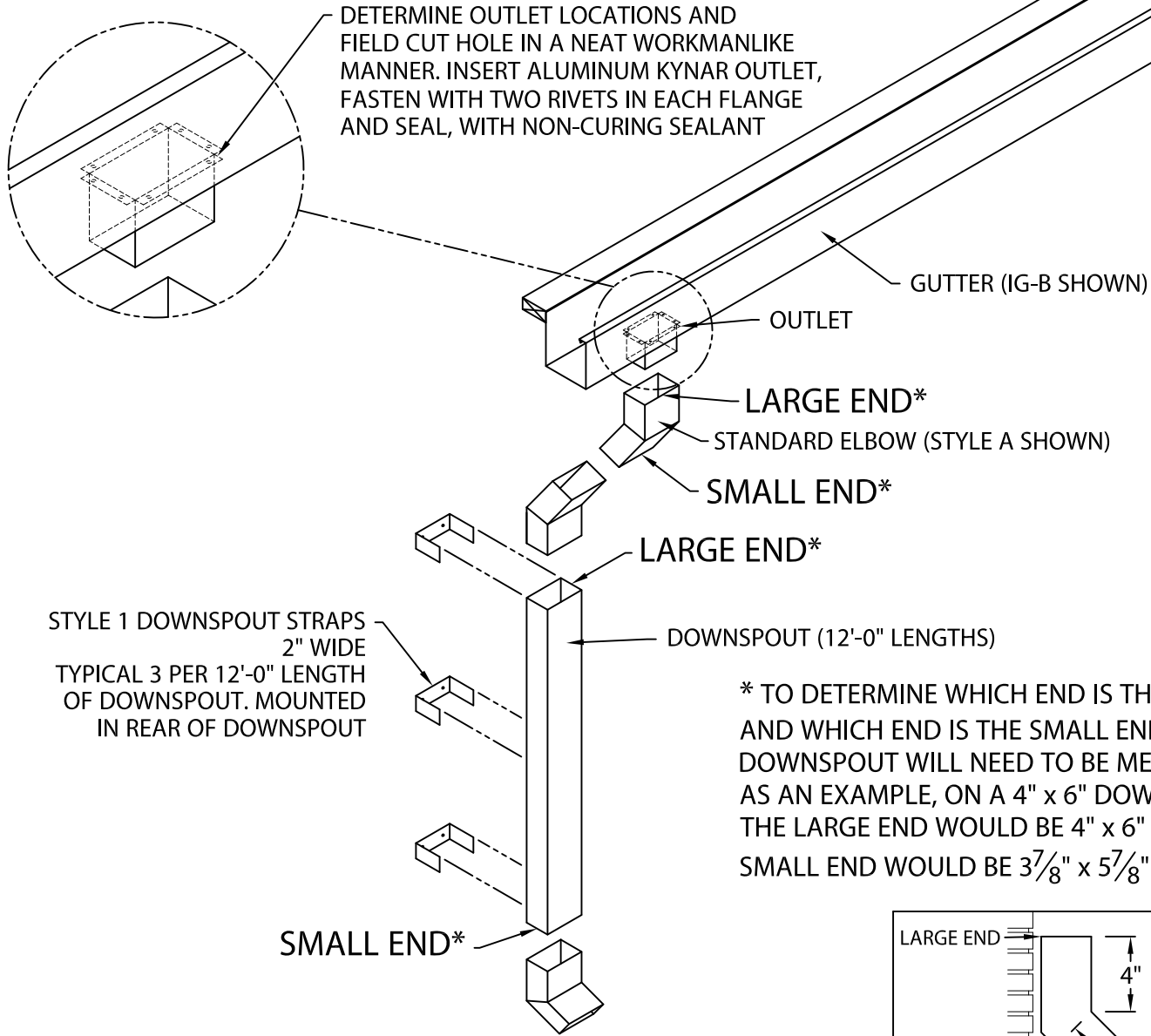


INDUSTRIAL DOWNSPOUT

CLOSED DOWNSPOUT, STYLE 1 DOWNSPOUT STRAP VERSION

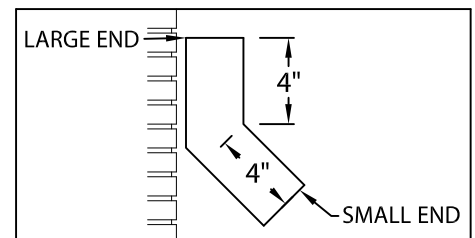
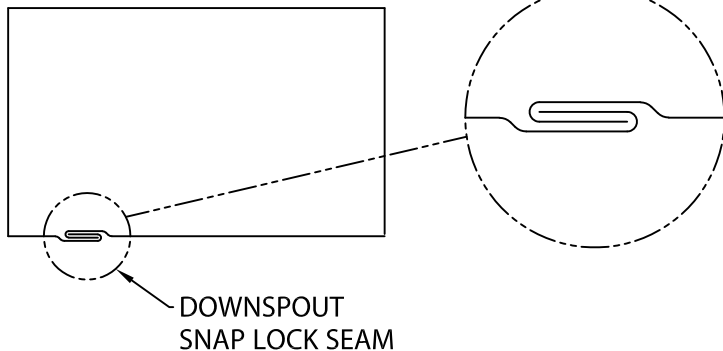
INSTALLATION INSTRUCTIONS



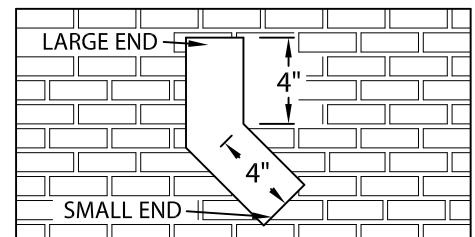
STYLE 1 DOWNSPOUT STRAPS
2" WIDE
TYPICAL 3 PER 12'-0" LENGTH
OF DOWNSPOUT. MOUNTED
IN REAR OF DOWNSPOUT

* TO DETERMINE WHICH END IS THE LARGE END AND WHICH END IS THE SMALL END, THE DOWNSPOUT WILL NEED TO BE MEASURED. AS AN EXAMPLE, ON A 4" x 6" DOWNSPOUT THE LARGE END WOULD BE 4" x 6" AND THE SMALL END WOULD BE 3⁷/₈" x 5⁷/₈".

DOWNSPOUT SECTION



STYLE A DOWNSPOUT



STYLE B DOWNSPOUT