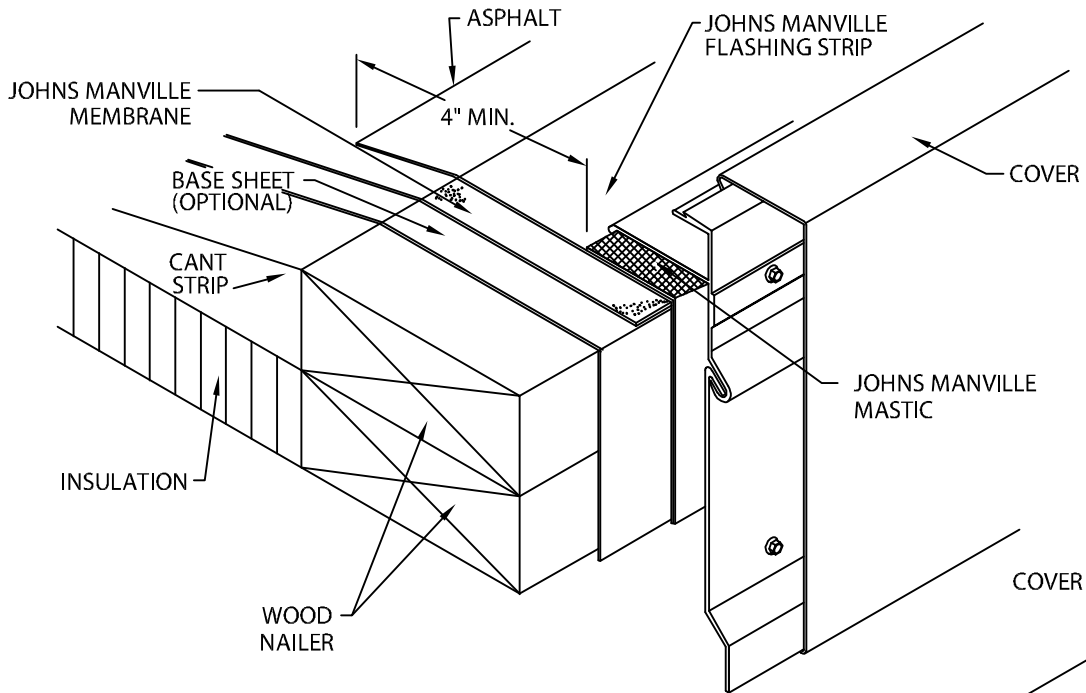




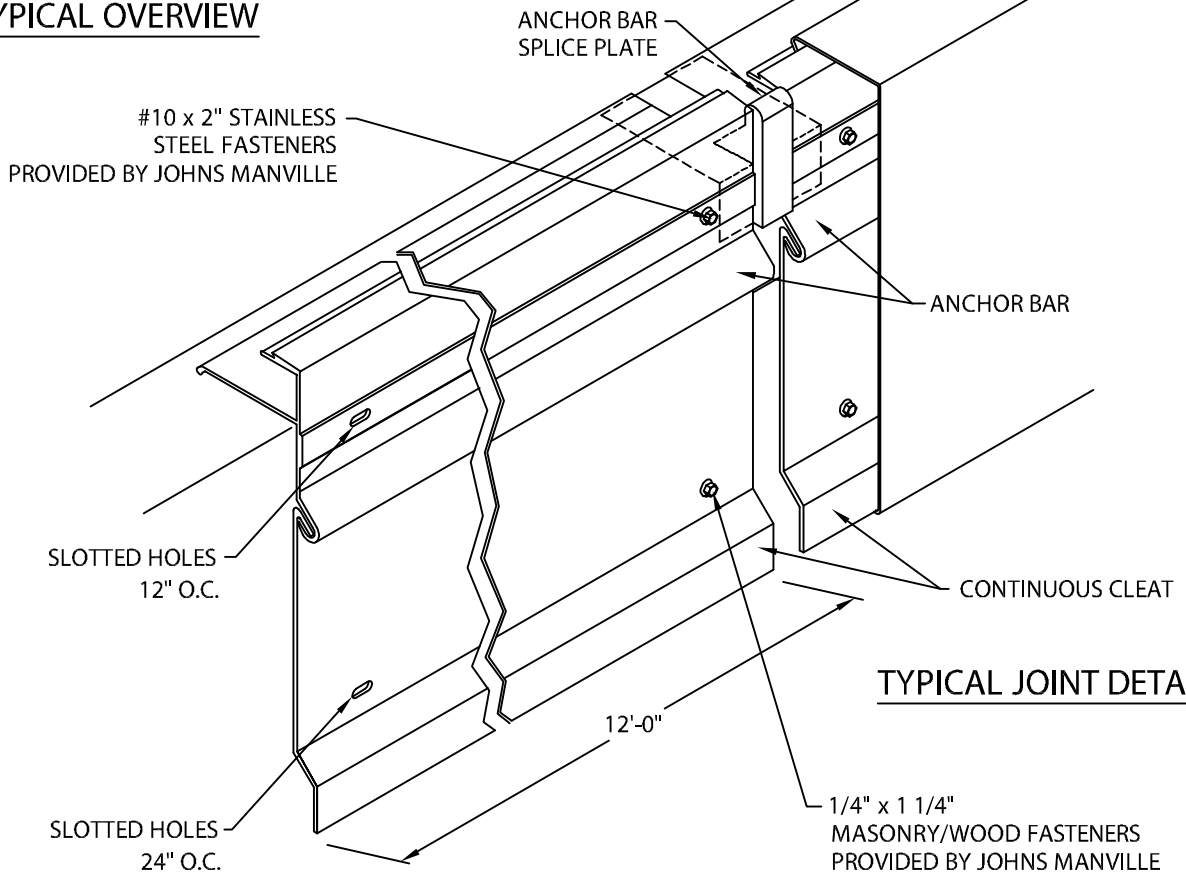
# PRESTO-TITE LARGE FACE HEIGHT FASCIA

MODIFIED VERSION

DETAILS



**TYPICAL OVERVIEW**



**TYPICAL JOINT DETAIL**



USA: 800-223-8317  
Canada: 800-445-1500

DATE: 03/20/17  
DRN BY: JJC  
CKD BY: SAK

SHT.# \_\_\_ OF \_\_\_  
DWG# 16510-2189

E