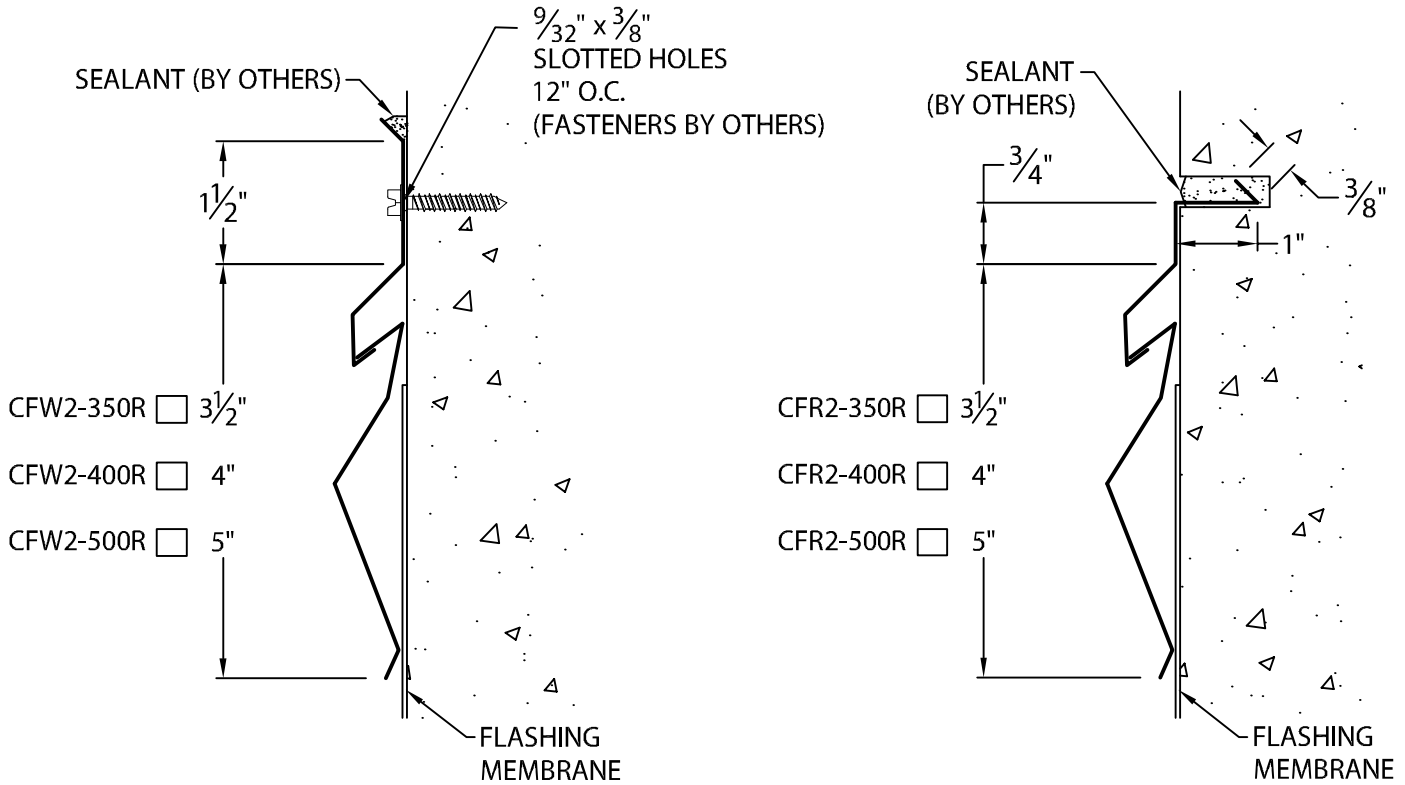


SOPREMA 2 PC COUNTERFLASHING

REGLET AND SURFACE VERSION



NOTE: PRE-NOTCHED LAP JOINT 3"

Fabrication will proceed only after receipt of signed print approval.

Print Approval:

Architect and/or contractor shall verify all dimensions, sizes and quantities. All products to be installed in strict accordance with SOPREMA's printed instructions.

Approved by: _____

Date: _____

MATERIAL:

24 GA. GALVANIZED STEEL

.040" ALUMINUM COLOR: _____

.050" ALUMINUM FINISH: _____

OTHER _____

QUANTITIES:

_____ LINEAL FEET 12'-0" LENGTHS

PROJECT:

ARCHITECT:

ROOFING CONTRACTOR:

REPRESENTATIVE/DISTRIBUTOR:

800-356-3521

www.soprema.us

310 Quadral Dr. Wadsworth, OH 44281

f: 330-334-6257



DATE: 01/09/17

DRN BY: JJC

CKD BY: SAK

SHT.# ____ OF ____

DWG# 33015-24510

C