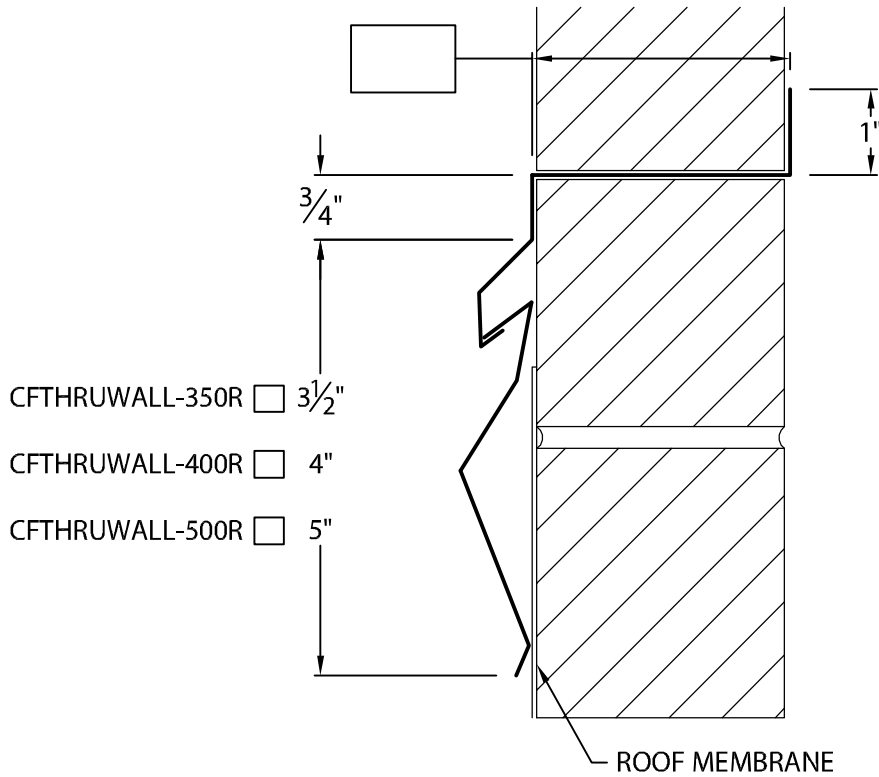


# SOPREMA 2 PC COUNTERFLASHING

THRU-WALL VERSION



NOTE: PRE-NOTCHED LAP JOINT 3"

Fabrication will proceed only after receipt of signed print approval.

## Print Approval:

Architect and/or contractor shall verify all dimensions, sizes and quantities. All products to be installed in strict accordance with SOPREMA's printed instructions.

Approved by: \_\_\_\_\_

Date: \_\_\_\_\_

## MATERIAL:

\_\_ 24 GA. GALVANIZED STEEL

\_\_ .040" ALUMINUM

COLOR: \_\_\_\_\_

\_\_ .050" ALUMINUM

FINISH: \_\_\_\_\_

\_\_ OTHER \_\_\_\_\_

## QUANTITIES:

\_\_\_\_\_ LINEAL FEET 12'-0" LENGTHS

PROJECT:

ARCHITECT:

ROOFING CONTRACTOR:

REPRESENTATIVE/DISTRIBUTOR:

800-356-3521

www.soprema.us

310 Quadral Dr. Wadsworth, OH 44281

f: 330-334-6257



DATE: 10/03/16

DRN BY: JJC

CKD BY: SAK

SHT.# \_\_\_ OF \_\_\_

DWG# 33015-24511

B