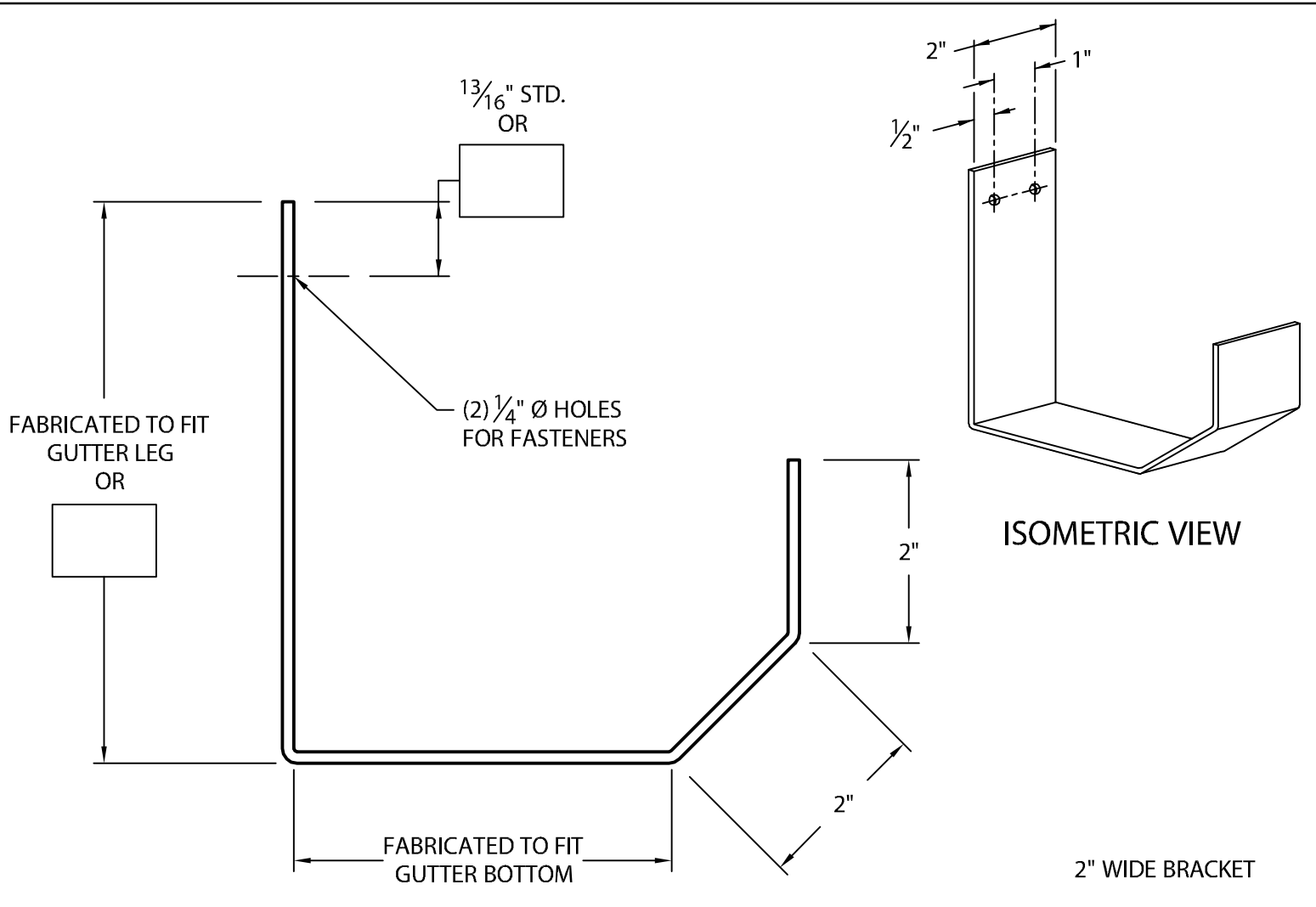


# INDUSTRIAL EXTERNAL GUTTER BRACKET

IG-2 VERSION



Fabrication will proceed only after receipt of signed print approval.

## Print Approval:

Architect and/or contractor shall verify all dimensions, sizes and quantities. All products to be installed in strict accordance with Johns Manville's printed instructions.

Approved by: \_\_\_\_\_  
Date: \_\_\_\_\_

### MATERIAL:

.125" ALUMINUM  
COLOR: \_\_\_\_\_  
FINISH: \_\_\_\_\_

### QUANTITIES:

\_\_\_\_\_ AMOUNT REQUIRED\*

\*QUANTITIES OVER 200 REQUIRE AN EXTENDED LEAD TIME DUE TO POST COATING PROCESS.

PROJECT:
ARCHITECT:
ROOFING CONTRACTOR:
REPRESENTATIVE/DISTRIBUTOR:

51 Lexington Street; Lewiston, ME 04240  
CUSTOMER SERVICE: 800-223-8317 USA  
800-445-1500 Canada  
TECHNICAL SERVICE: 800-445-1500 USA & Canada  
FAX: 207-784-0125  
OTHER AREAS CALL: 207-784-0123



DATE: 03/04/16	SHT.# ____ OF ____
DRN BY: JJC	DWG# 16012-3996 <b>C</b>
CKD BY: SAK	