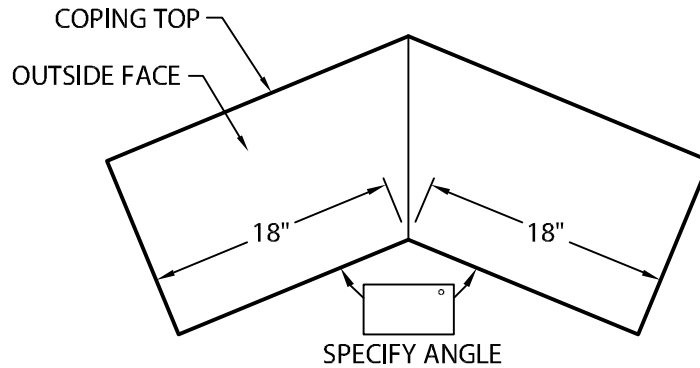


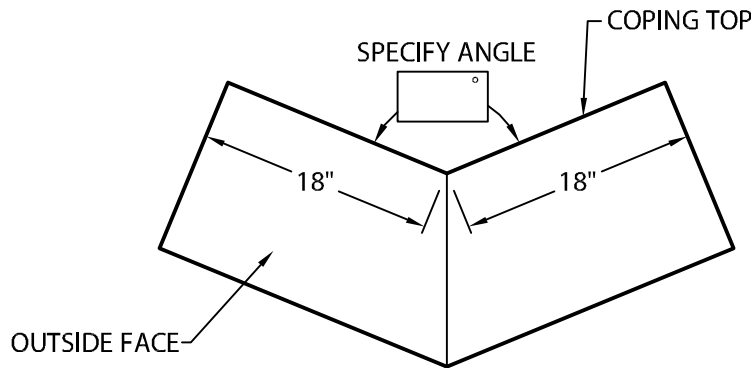
PEAK AND VALLEY COPING MITERS

PEAK MITER
FRONT VIEW SHOWN



WALL SIZE: _____
FOR CUSTOM LEG LENGTHS
MODIFY DRAWING ABOVE

VALLEY MITER
FRONT VIEW SHOWN



WALL SIZE: _____
FOR CUSTOM LEG LENGTHS
MODIFY DRAWING ABOVE

NOTES:

- ① WELDED ACCESSORIES REQUIRE A MINIMUM MATERIAL THICKNESS OF .050".

MATERIAL:

- ___ 24 GA. GALVANIZED STEEL
 - ___ 22 GA. GALVANIZED STEEL
 - ___ .040" ALUMINUM
 - ___ .050" ALUMINUM
 - ___ .063" ALUMINUM
 - ___ OTHER _____
- COLOR: _____
- FINISH: _____

QUANTITIES:

- ___ PEAK MITERS
- ___ VALLEY MITERS

SPECIFY ACCESSORY TYPE:
 WELDED ①
 QUICKLOCK

AUTHORIZED SIGNATURE:

APPROVED BY: _____

DATE: _____

PROJECT:

ARCHITECT:

ROOFING CONTRACTOR:

REPRESENTATIVE/DISTRIBUTOR:

Customer Service
1-800-727-9872



DATE: 02/11/17

DRN BY: JJC

CKD BY: SAK

SHT.# ____ OF ____

DWG# 20011-25692

A