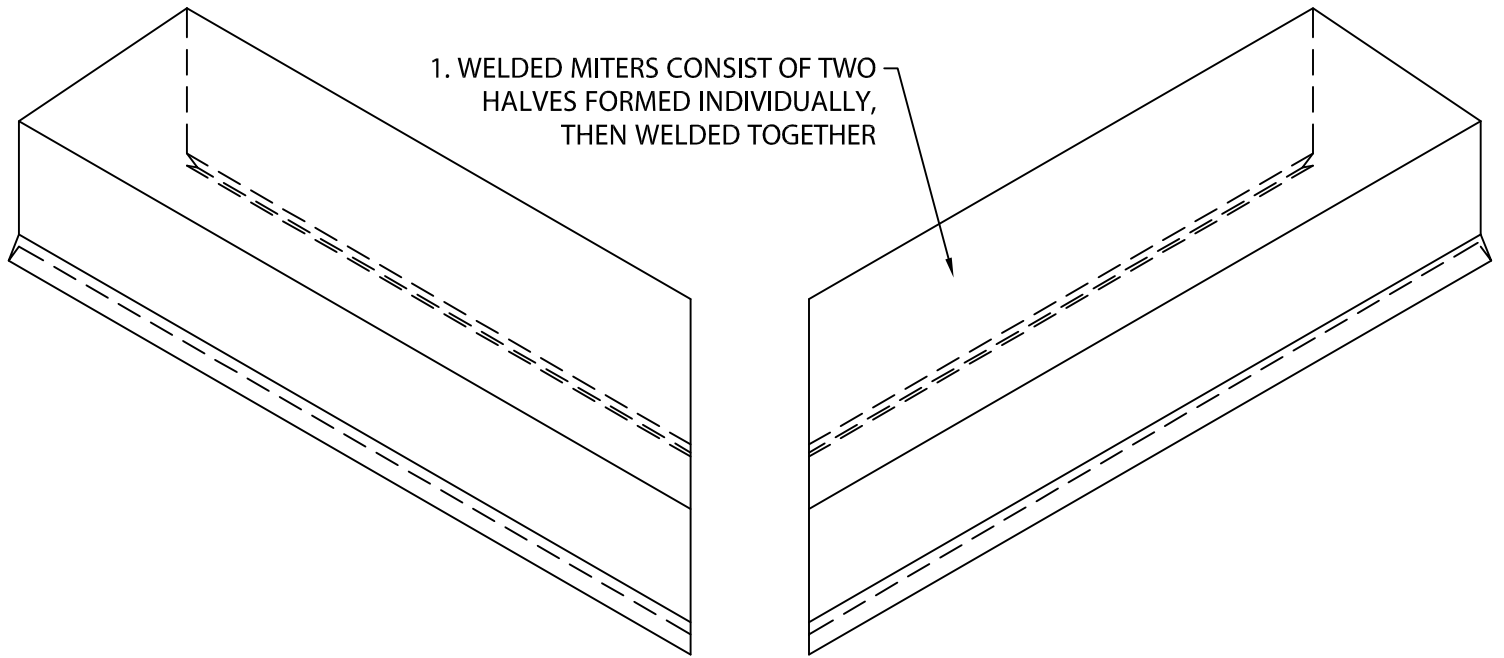
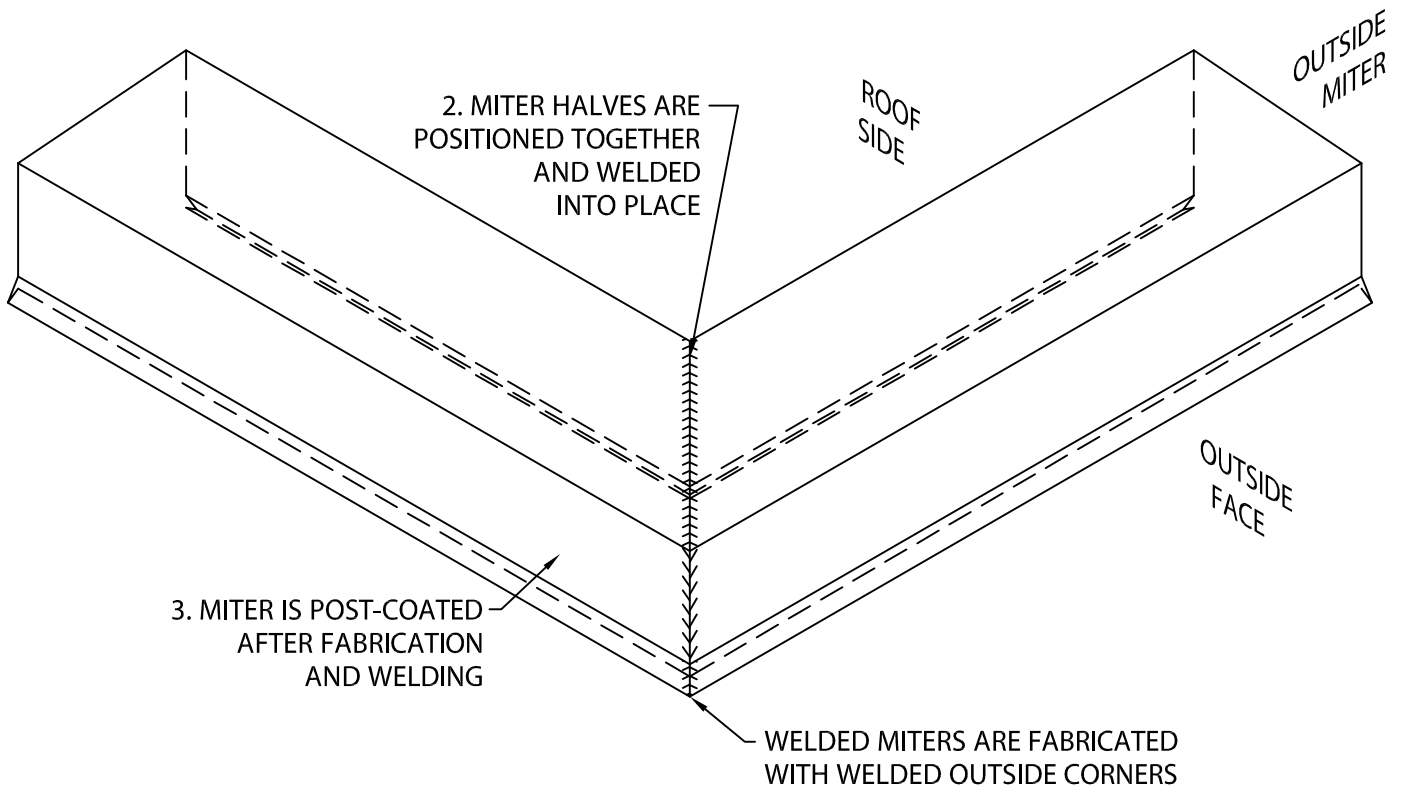


# FLEXCAP FLC COPING MITERS

WELDED POST-FINISHED MITER ASSEMBLY



1. WELDED MITERS CONSIST OF TWO HALVES FORMED INDIVIDUALLY, THEN WELDED TOGETHER



2. MITER HALVES ARE POSITIONED TOGETHER AND WELDED INTO PLACE

ROOF SIDE

OUTSIDE MITER

OUTSIDE FACE

3. MITER IS POST-COATED AFTER FABRICATION AND WELDING

WELDED MITERS ARE FABRICATED WITH WELDED OUTSIDE CORNERS

**Flex**<sup>TM</sup>

Customer Service  
Phone: 800-969-0108  
Fax: 610-916-9501

DATE: 12/13/10

DRN BY: JJC

CKD BY: SAK

SHT.# \_\_\_ OF \_\_\_

DWG# 28511-3468

C