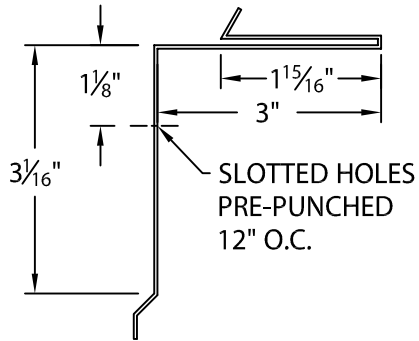


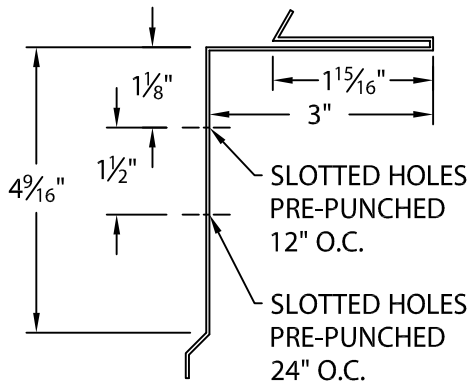
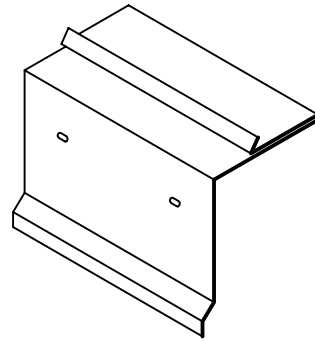
FLEXLOCK FLT ROOF EDGE

BUILT-UP OR MODIFIED VERSION

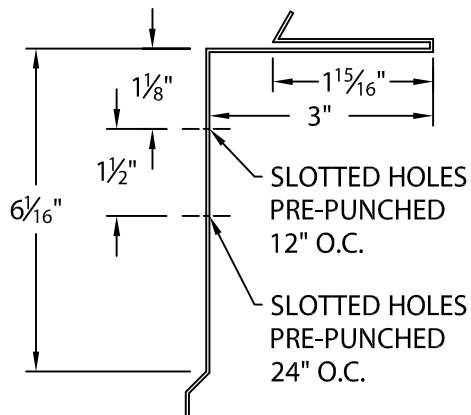
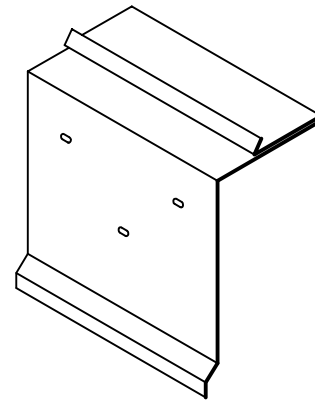
FORMED RAIL DETAILS



MEM-50



MEM-65



MEM-80

