

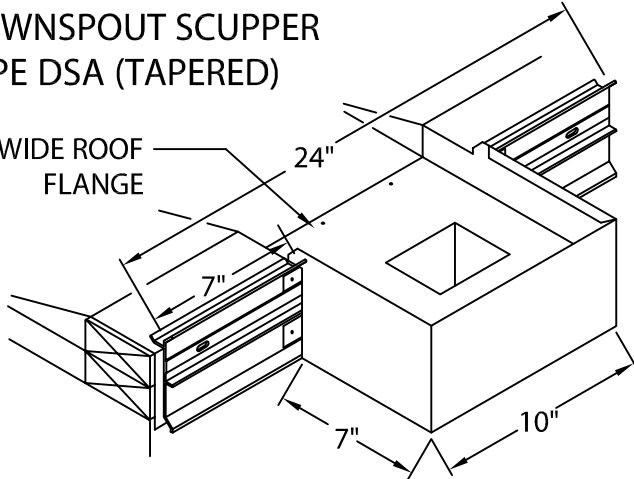
VERSITRIM 2000 STANDARD FASCIA SCUPPERS

FULLY ADHERED OR MECHANICALLY ATTACHED SINGLE-PLY VERSION

SCUPPERS - FACTORY WELDED CONSTRUCTION

**DOWNSPOUT SCUPPER
TYPE DSA (TAPERED)**

3" WIDE ROOF
FLANGE

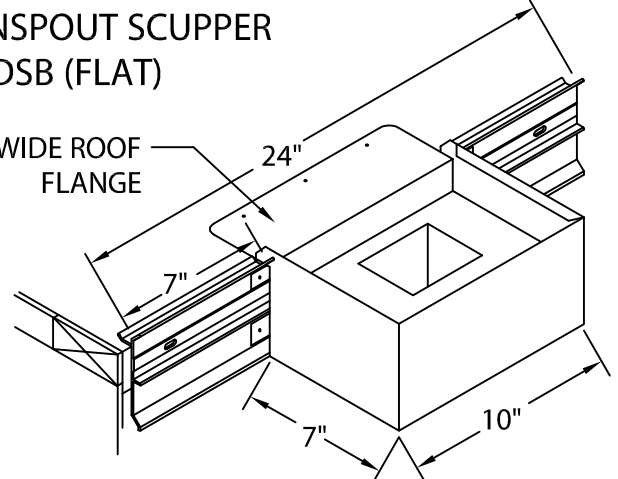


FOR USE WITH TAPERED EDGE STRIP.
FLANGE LOWERED 1 1/2".

NOTE : SPECIFY TUBE SIZE

**DOWNSPOUT SCUPPER
TYPE DSB (FLAT)**

3" WIDE ROOF
FLANGE

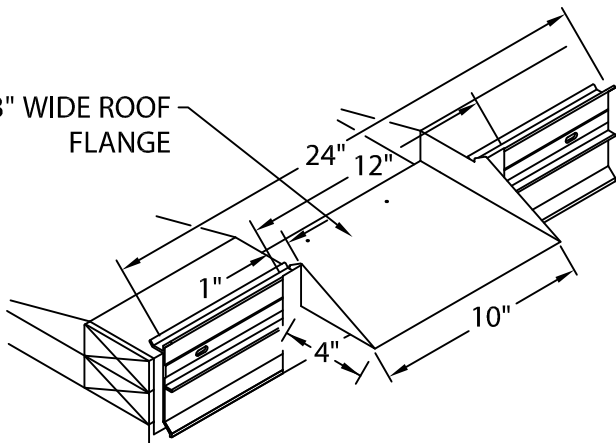


FOR USE WITHOUT TAPERED EDGE STRIP.
FLANGE FLUSH MOUNTED WITH ROOF.

NOTE : SPECIFY TUBE SIZE

**SPILLOUT SCUPPER
TYPE SSA (TAPERED)**

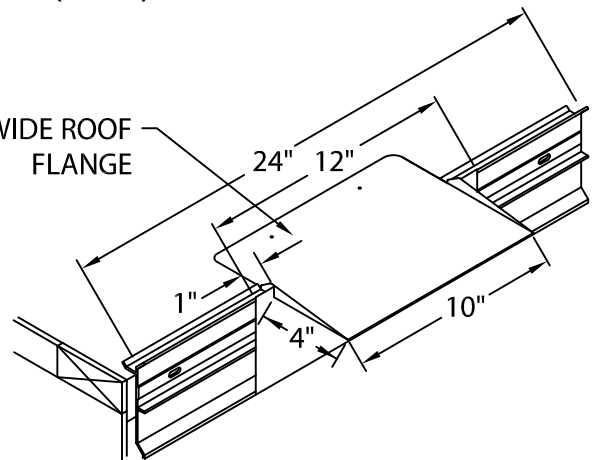
3" WIDE ROOF
FLANGE



FOR USE WITH TAPERED EDGE STRIP.
FLANGE LOWERED 1 1/2".

**SPILLOUT SCUPPER
TYPE SSB (FLAT)**

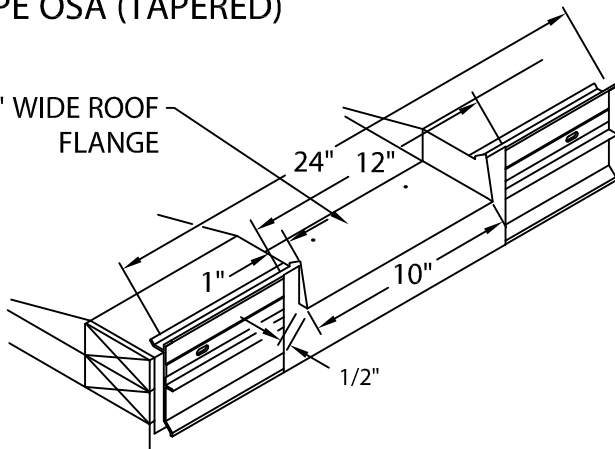
3" WIDE ROOF
FLANGE



FOR USE WITHOUT TAPERED EDGE STRIP.
FLANGE FLUSH MOUNTED WITH ROOF.

**OVERFLOW SCUPPER
TYPE OSA (TAPERED)**

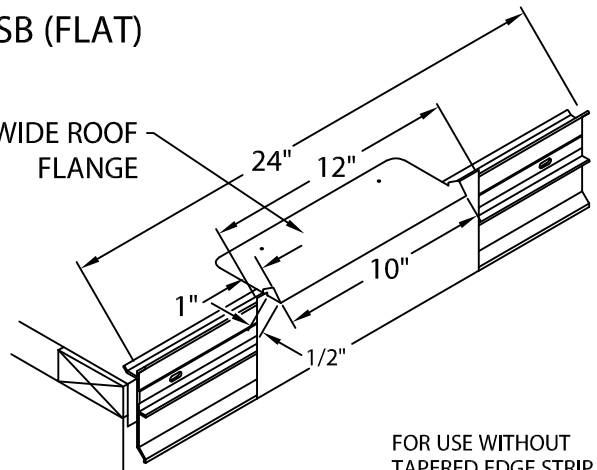
3" WIDE ROOF
FLANGE



FOR USE WITH TAPERED EDGE STRIP.
FLANGE LOWERED 1 1/2".

**OVERFLOW SCUPPER
TYPE OSB (FLAT)**

3" WIDE ROOF
FLANGE



FOR USE WITHOUT
TAPERED EDGE STRIP.
FLANGE FLUSH
MOUNTED WITH ROOF.



Customer Service
800-558-2162

DATE: 11/13/08
DRN BY: JJC
CKD BY: SAK

SHT.# ___ OF ___

DWG# 18510-2029

D