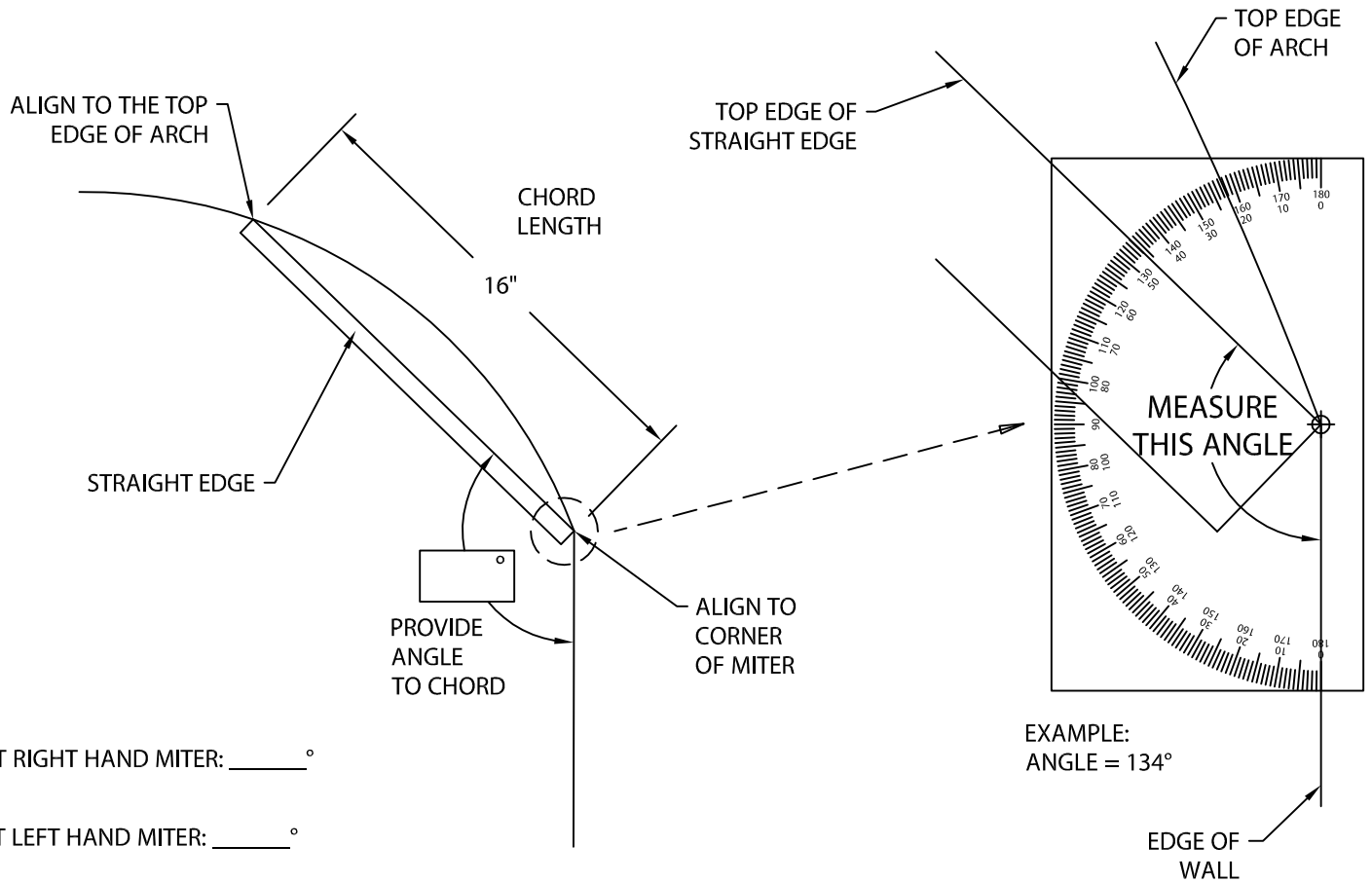


ARCH TO STRAIGHT COPING MITER

ANGLE MEASUREMENT INSTRUCTIONS

1. Cut a straightedge 16" long.
2. Lay the straight edge against the top of the arched portion of the miter area. Align the straightedge at the corner of the miter area and at the top edge of the arch (as illustrated).
3. Measure the angle as shown. Record this measurement in the box provided.
4. Fill in the general information below and fax this sheet to 800-373-9156.

RIGHT HAND MITER SHOWN



ELEVATION VIEW FROM ROOF SIDE

PROJECT:

ARCHITECT:

ROOFING CONTRACTOR:

REPRESENTATIVE/DISTRIBUTOR:

Corporate Offices
Dow Roofing Systems
Nine Sullivan Road
Holyoke, MA 01040
P: 800-621-ROOF



ROOFING SYSTEMS

DATE: 03/02/09

DRN BY: JJC

CKD BY: SAK

SHT.# ____ OF ____

DWG# 12511-9457

A