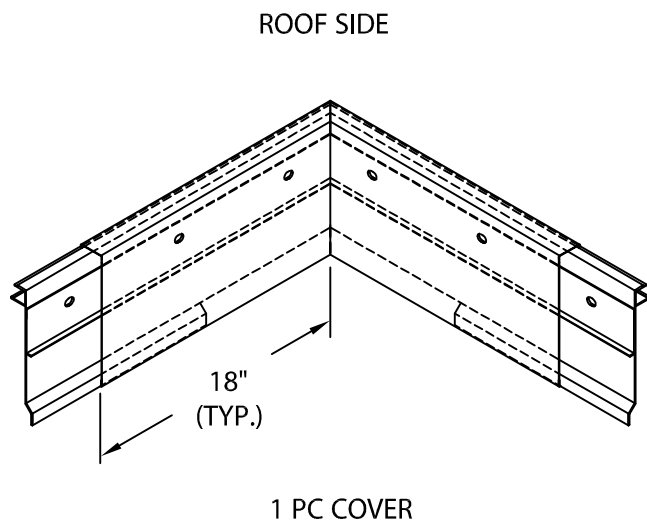
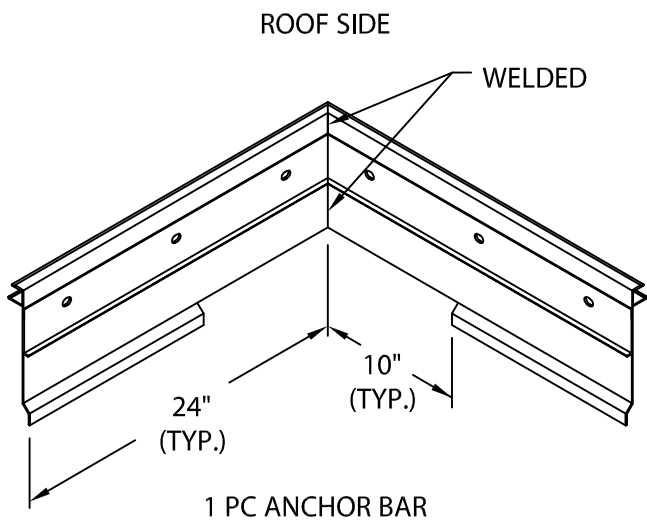


# DOW HG FASCIA

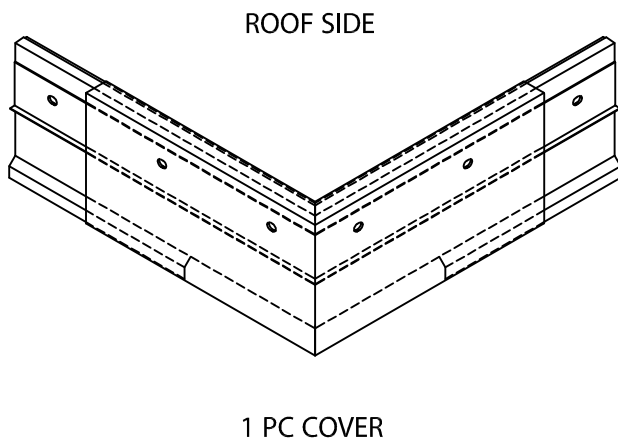
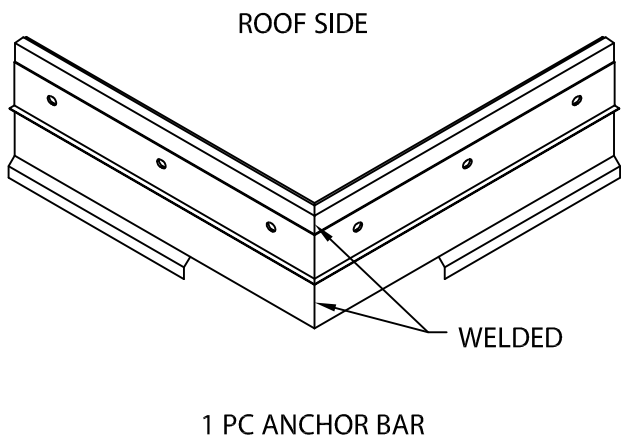
MITERS - FACTORY WELDED CONSTRUCTION

## INSIDE MITER



FASTENERS INCLUDED

## OUTSIDE MITER



NOTE: WOOD NAILERS REQUIRED.

PROJECT:	Corporate Offices Dow Roofing Systems Nine Sullivan Road Holyoke, MA 01040 P: 800-621-ROOF
ARCHITECT:	
ROOFING CONTRACTOR:	
REPRESENTATIVE/DISTRIBUTOR:	



**ROOFING SYSTEMS**

DATE: 02/24/09

DRN BY: JJC

CKD BY: SAK

SHT.# \_\_\_ OF \_\_\_

DWG# 12510-5671

C