

NON-WELDED RADIUS DRIP EDGE

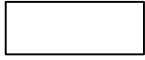
WITH CONTINUOUS CLEAT

CONVEX RADIUS

PROVIDING A RADIUS

THE RADIUS MAY BE PROVIDED IN ONE OF TWO METHODS:

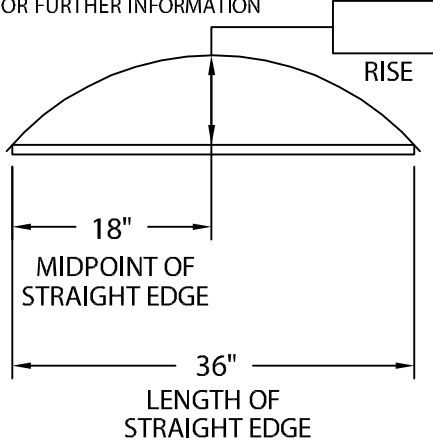
1.) THE ACTUAL KNOWN RADIUS IS



OR

2.) FIELD CONDITION MEASUREMENTS

NOTE: REFER TO ATTACHED WORKSHEET FOR FURTHER INFORMATION



NOTE: CHECK MEASUREMENTS ALONG ENTIRE RADIUS.

DETAIL A

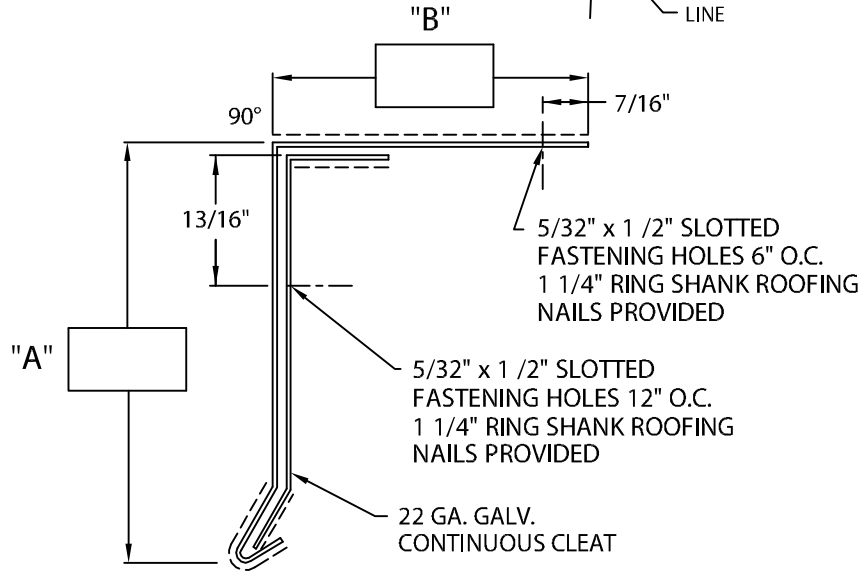
----- INDICATES AREAS THAT WILL BE SLIT AS NEEDED TO ACCOMMODATE RADIUS

OUTSIDE FACE

RADIUS (PROVIDED BY APPROVER PER DETAIL A)

TOP VIEW

ROOF LINE



NOTES: -- 6" wide concealed splice plates provided.

-- Concealed splice plate must be field caulked to prevent water entry.

Fabrication will proceed only after receipt of signed print approval.

Print Approval:

Architect and/or contractor shall verify all dimensions, sizes and quantities. All products to be installed in strict accordance with Johns Manville's printed instructions.

Approved by: _____

Date: _____

MATERIAL:

___ 24 Ga. Galv. ___ .050" Aluminum

___ .040" Aluminum ___ .063" Aluminum

Color: _____

Finish: _____

QUANTITIES:

_____ Lineal Feet (12'-0" (3.65 m) Lengths)

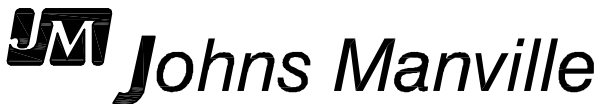
PROJECT:

ARCHITECT:

ROOFING CONTRACTOR:

REPRESENTATIVE/DISTRIBUTOR:

51 Lexington Street; Lewiston, ME 04240
 CUSTOMER SERVICE: 800-223-8317 USA
 800-445-1500 Canada
 TECHNICAL SERVICE: 800-445-1500 USA & Canada
 FAX: 207-784-0125
 OTHER AREAS CALL: 207-784-0123



DATE: 04/07/17

DRN BY: JJC

CKD BY: SAK

SHT.# ___ OF ___

DWG# 16010-14641

B