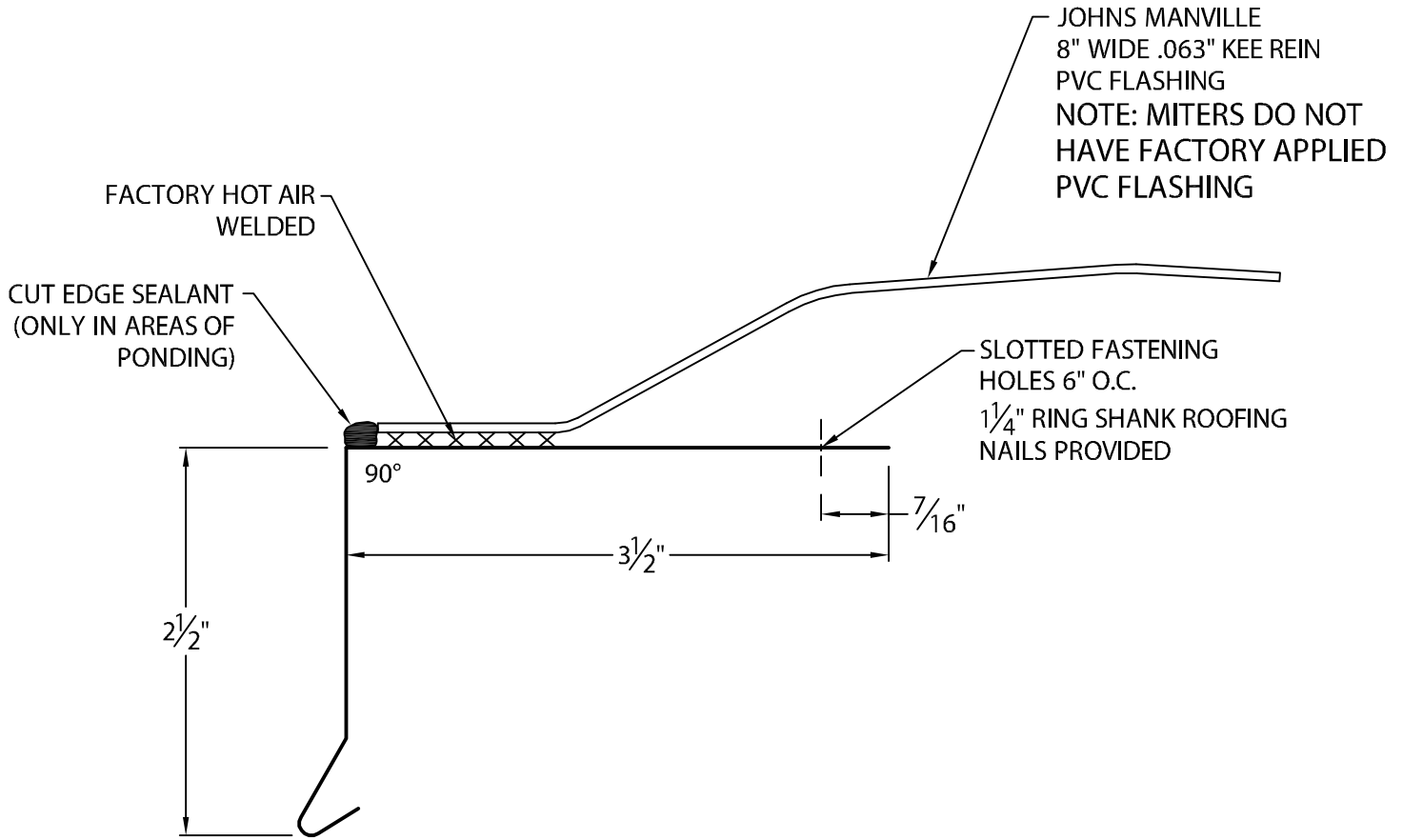


# PRESTO-WELD DRIP EDGE

WITH FACTORY APPLIED PVC FLASHING

WITHOUT CONTINUOUS CLEAT



Fabrication will proceed only after receipt of signed print approval.

## Print Approval:

Architect and/or contractor shall verify all dimensions, sizes and quantities. All products to be installed in strict accordance with Johns Manville's printed instructions.

Approved by: \_\_\_\_\_

Date: \_\_\_\_\_

## MATERIAL:

24 Ga. Galv. Steel PVC Coated

## COLOR:

White

## QUANTITIES:

\_\_\_\_\_ Lineal Feet (10'-0" Lengths)

\_\_\_\_\_ Outside Miters @ (\_\_\_\_\_)° (PVC Flashing Not Included)

\_\_\_\_\_ Inside Miters @ (\_\_\_\_\_)° (PVC Flashing Not Included)

PROJECT:

ARCHITECT:

ROOFING CONTRACTOR:

REPRESENTATIVE/DISTRIBUTOR:

51 Lexington Street; Lewiston, ME 04240

CUSTOMER SERVICE: 800-223-8317 USA

800-445-1500 Canada

TECHNICAL SERVICE: 800-445-1500 USA & Canada

FAX: 207-784-0125

OTHER AREAS CALL: 207-784-0123

**JM** Johns Manville

DATE: 03/22/17

DRN BY: JJC

CKD BY: SAK

SHT.# \_\_\_\_ OF \_\_\_\_

DWG# 16010-26023

A