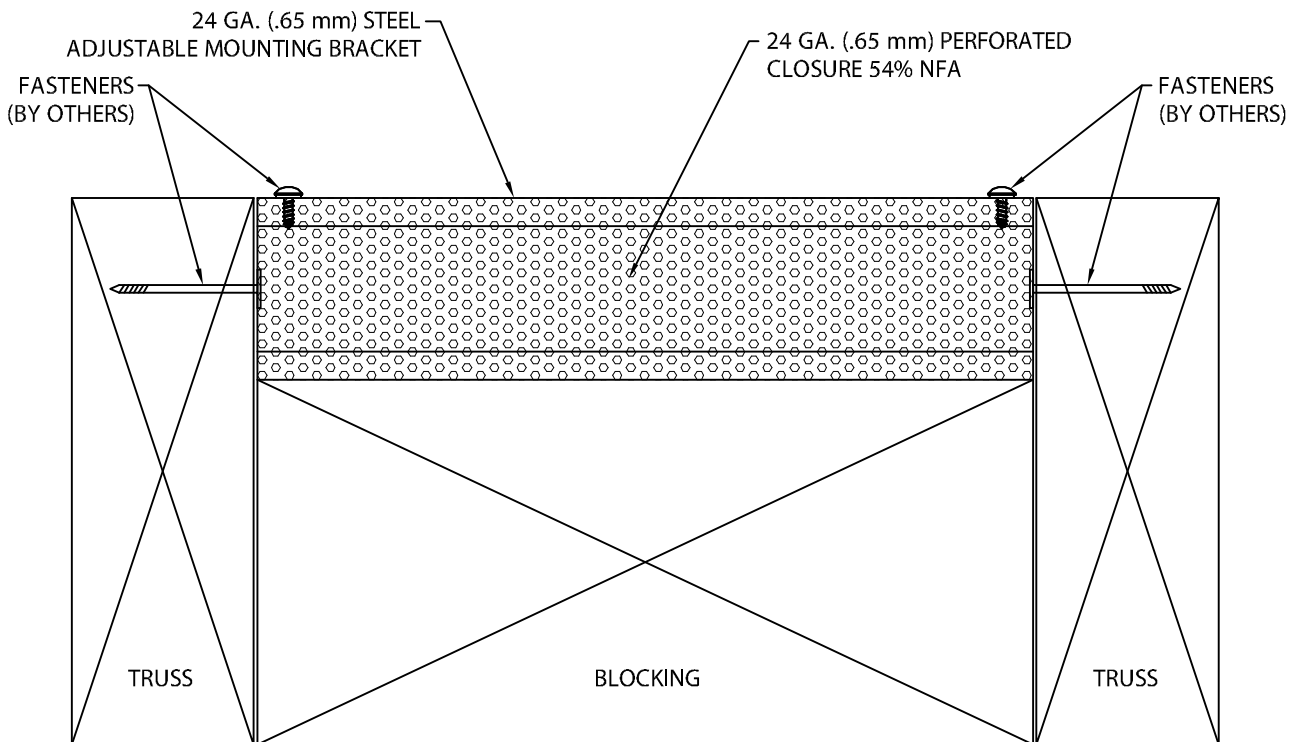


TECHNI-FLO TV

TRUSS VENT

INSTALLATION INSTRUCTIONS

DETAIL A*



*EXPOSED RAFTER INSTALLATION SHOWN

Techni-Flo
Engineered Roof Ventilation

Phone: 855-542-0918

Fax: 800-770-3934

atlasroofing.com

DATE: 09/11/14

SHT.# 1 OF 5

DRN BY: JJC

CKD BY: SAK

DWG# 38132-12681

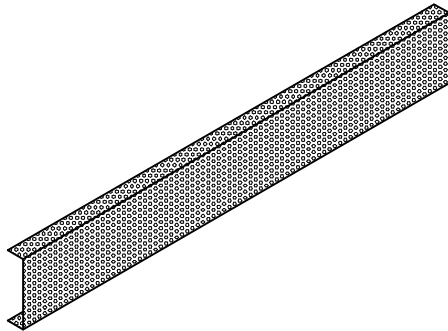
C

TECHNI-FLO TV

TRUSS VENT

INSTALLATION INSTRUCTIONS

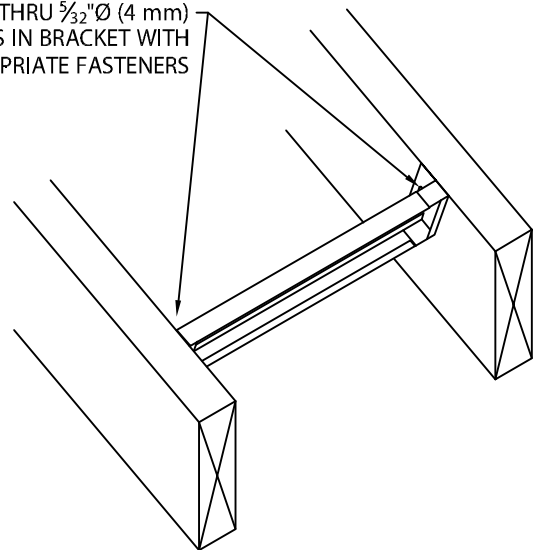
EXPOSED RAFTER TAIL INSTALLATION INSTRUCTIONS



1. PREPARE PERFORATED CLOSURE

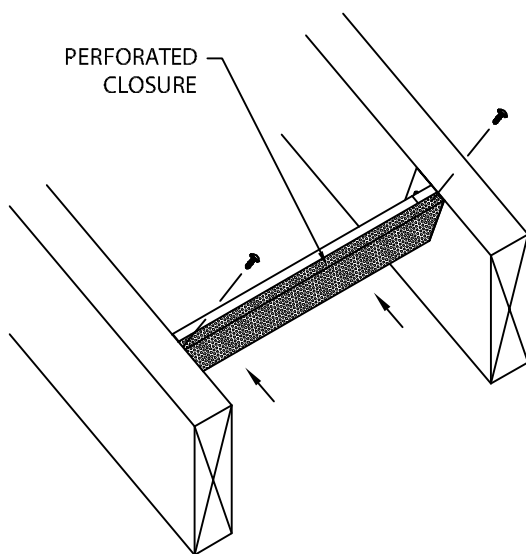
FIELD CUT PERFORATED CLOSURE TO FIT IN BETWEEN TRUSSES.

FASTEN THRU $\frac{5}{32}$ " \varnothing (4 mm) HOLES IN BRACKET WITH APPROPRIATE FASTENERS



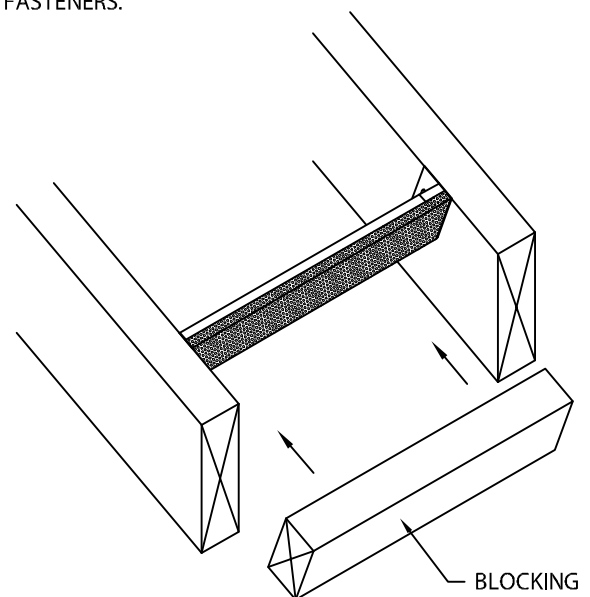
2. ADJUSTABLE MOUNTING BRACKET

ATTACH ADJUSTABLE MOUNTING BRACKET FLUSH TO TOP OF TRUSS. FASTEN WITH APPROPRIATE FASTENERS.



3. PERFORATED CLOSURE

SLIDE FIELD CUT PERFORATED CLOSURE ON TO ADJUSTABLE MOUNTING BRACKET DESIGNED FOR TRUSS SPACING. FASTEN PERFORATED CLOSURE TO ADJUSTABLE MOUNTING BRACKET.



4. COMPLETION

INSTALL BLOCKING (BY OTHERS) UNDER ECO-PERF TRUSS VENT TO CLOSE OFF ATTIC.

 **Techni-Flo**
Engineered Roof Ventilation

Phone: 855-542-0918
Fax: 800-770-3934
atlasroofing.com

DATE: 09/11/14

SHT.# 2 OF 5

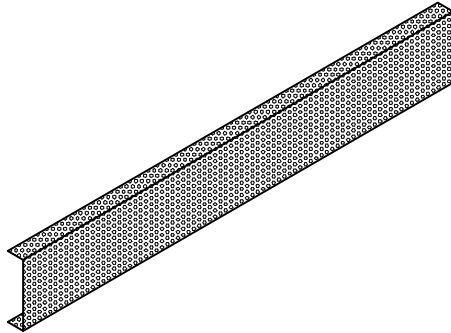
DRN BY: JJC

CKD BY: SAK

DWG# 38132-12681

C

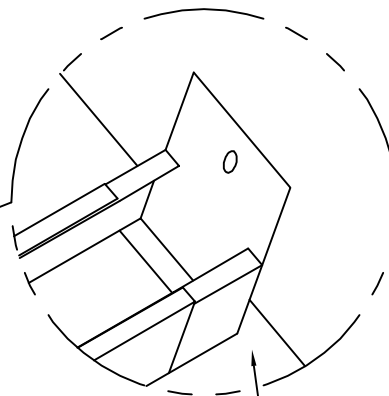
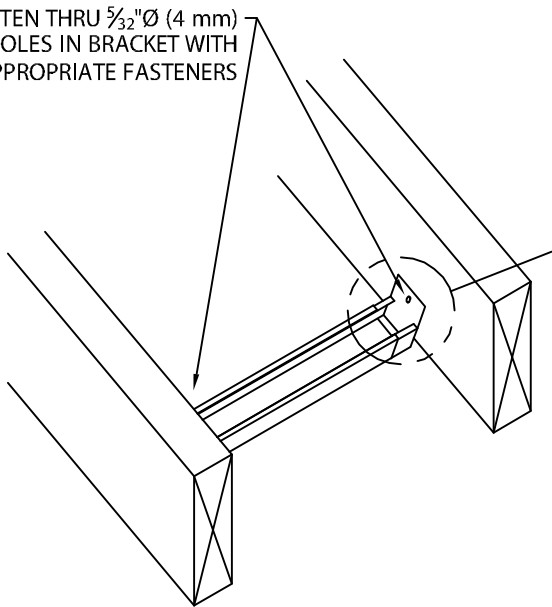
SOFFIT INSTALLATION INSTRUCTIONS



1. PREPARE PERFORATED CLOSURE

FIELD CUT PERFORATED CLOSURE TO FIT IN BETWEEN TRUSSES.

FASTEN THRU $\frac{5}{32}$ " \varnothing (4 mm) HOLES IN BRACKET WITH APPROPRIATE FASTENERS



INSTALL ADJUSTABLE MOUNTING BRACKET LEAVING $\frac{1}{2}$ " (13 mm) EXPOSED UNDERNEATH RAFTER

2. ADJUSTABLE MOUNTING BRACKET

ATTACH ADJUSTABLE MOUNTING BRACKET NEAR BOTTOM OF TRUSS. DEPENDING ON SOFFIT TYPE AND THICKNESS, LEAVE APPROXIMATELY $\frac{1}{2}$ " (13 mm) OF ADJUSTABLE MOUNTING BRACKET EXPOSED UNDER RAFTER AS SHOWN.



Techni-Flo
Engineered Roof Ventilation

Phone: 855-542-0918
Fax: 800-770-3934

atlasroofing.com

DATE: 09/11/14

SHT.# 3 OF 5

DRN BY: JJC

CKD BY: SAK

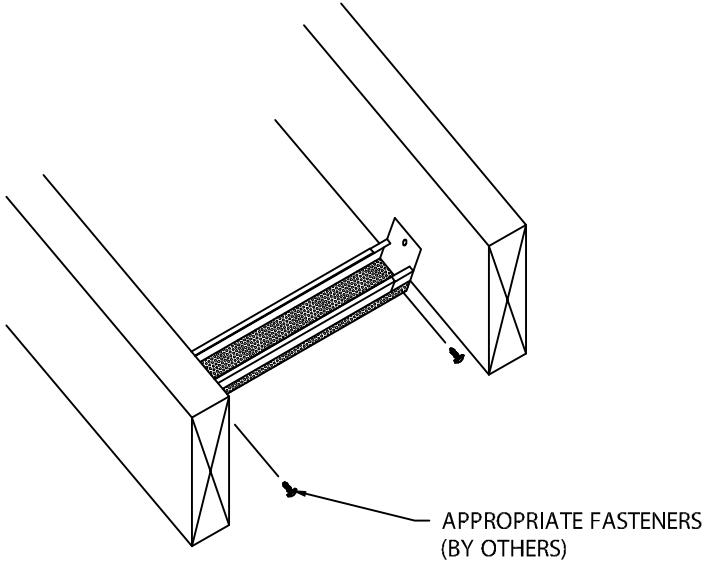
DWG# 38132-12681

C

TECHNI-FLO TV

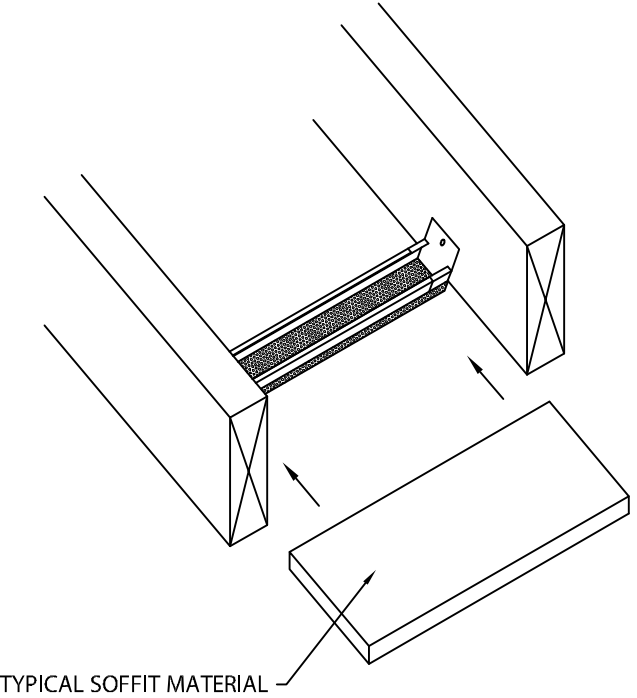
TRUSS VENT

INSTALLATION INSTRUCTIONS




3. PERFORATED CLOSURE

SLIDE FIELD CUT PERFORATED CLOSURE ON TO
ADJUSTABLE MOUNTING BRACKET DESIGNED FOR TRUSS
SPACING.
FASTEN PERFORATED CLOSURE TO ADJUSTABLE
MOUNTING BRACKET
WITH APPROPRIATE FASTENERS (BY OTHERS).

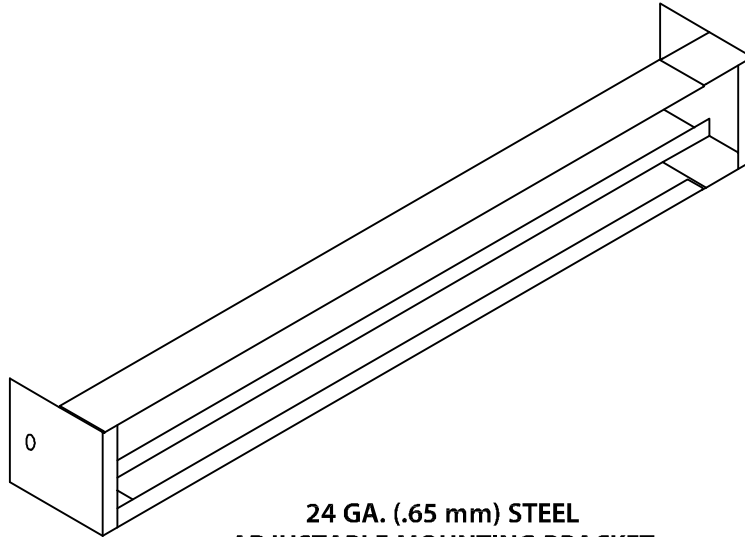


4. COMPLETION

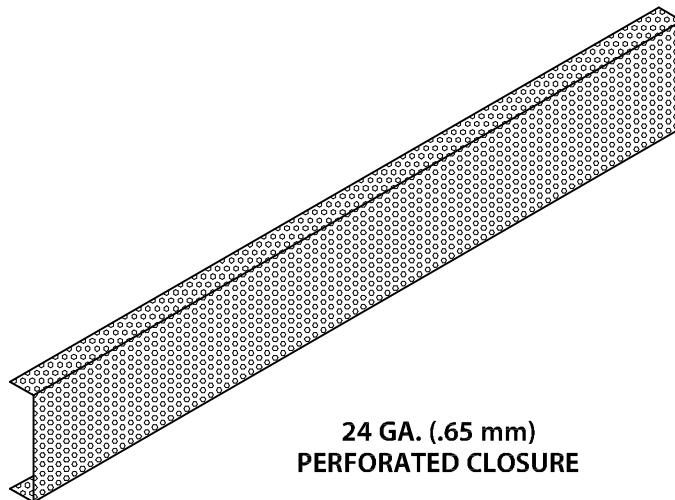
BUTT SOFFIT MATERIAL (BY OTHERS) AGAINST
ECO-PERF TRUSS VENT.

 Techni-Flo Engineered Roof Ventilation		Phone: 855-542-0918 Fax: 800-770-3934 atlasroofing.com
DATE: 09/11/14	SHT.# <u>4</u> OF <u>5</u>	
DRN BY: JJC	DWG# 38132-12681 C	
CKD BY: SAK		

TYPICAL COMPONENT LIST



**24 GA. (.65 mm) STEEL
ADJUSTABLE MOUNTING BRACKET**



**24 GA. (.65 mm)
PERFORATED CLOSURE**



Phone: 855-542-0918

Fax: 800-770-3934

atlasroofing.com

DATE: 09/11/14

SHT.# 5 OF 5

DRN BY: JJC

CKD BY: SAK

DWG# 38132-12681

C