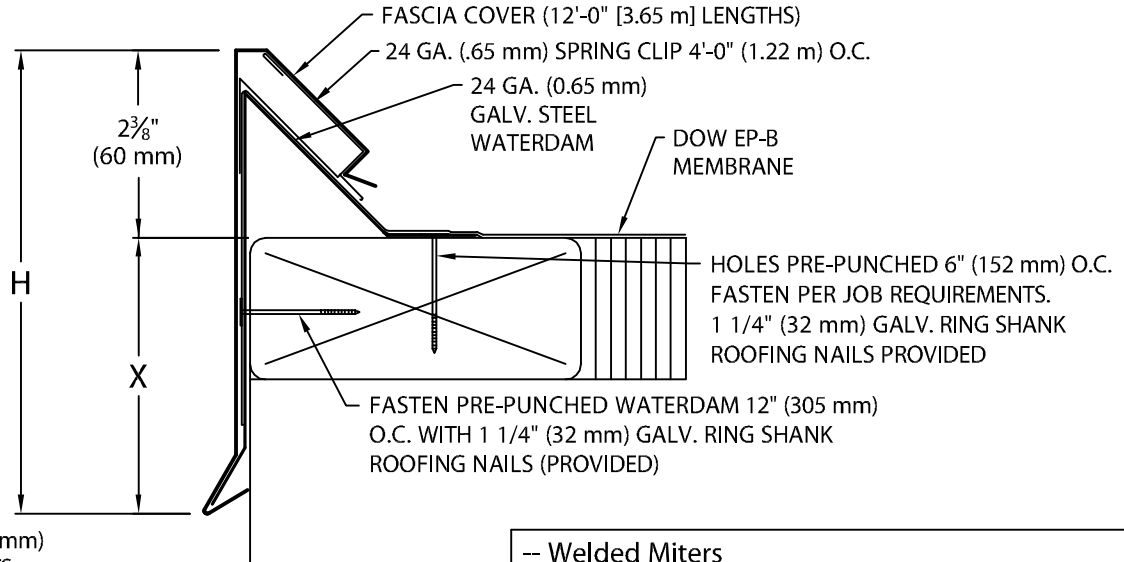


# DOW SYSTEM 200 FASCIA

SNAP-ON VERSION

FA-50 TO FA-80 ANSI/SPRI ES-1 DESIGN PRESSURE OF 160 psf

FA-95 TO FA-125 ANSI/SPRI ES-1 DESIGN PRESSURE OF 110 psf



## NOTES:

FASCIA INCLUDES 3 1/2" (89 mm) WIDE SPLICE PLATE AT JOINTS.

FASCIA IS TO BE INSTALLED PER SPECIFICATIONS AND DOW ROOFING SYSTEMS' INSTALLATION INSTRUCTIONS DWG. # 12110-11483.

**NOTE:** -- Unless otherwise noted, fabrication of miters and accessories are furnished standard.

## DOW SYSTEM 200 FASCIA DIMENSIONS

PRODUCT ID. NO.	H DIM	X DIM	NAILER COVERAGE
<input type="checkbox"/> FA-50	5 1/4" (133 mm)	2 7/8" (73 mm)	1 NAILER
<input type="checkbox"/> FA-65	6 3/4" (171 mm)	4 3/8" (111 mm)	2 NAILERS
<input type="checkbox"/> FA-80	8 1/4" (210 mm)	5 7/8" (149 mm)	3 NAILERS
<input type="checkbox"/> FA-95	9 3/4" (248 mm)	7 3/8" (187 mm)	4 NAILERS
<input type="checkbox"/> FA-110	11 1/4" (286 mm)	8 7/8" (225 mm)	5 NAILERS
<input type="checkbox"/> FA-125	12 3/4" (324 mm)	10 3/8" (264 mm)	6 NAILERS

Fabrication will proceed only after receipt of signed print approval.

## Print Approval:

Architect and/or contractor shall verify all dimensions, sizes and quantities. All products to be installed in strict accordance with Dow Roofing Systems' printed instructions.

Approved by: \_\_\_\_\_

Date: \_\_\_\_\_

-- Welded Miters

Check one  Required (surcharge)  Not applicable

## MATERIAL:

\*Oil canning can occur on larger face heights. Recommend .050" (1.27 mm) or .063" (1.60 mm) for face heights above 8 1/4" (210 mm).

24 Ga. (.65 mm) Galv. Steel\*  
 .040" (1.01 mm) Alum.\*  
 .050" (1.27 mm) Alum.  
 .063" (1.60 mm) Alum.  
 OTHER \_\_\_\_\_

Color: \_\_\_\_\_

Finish: \_\_\_\_\_

## QUANTITIES:

\_\_\_\_\_ Lineal Feet 12'-0" (3.65 m) Lengths

\_\_\_\_\_ Outside Miter(s) @ (\_\_\_\_\_)°

\_\_\_\_\_ Inside Miter(s) @ (\_\_\_\_\_)°

\_\_\_\_\_ Right Endcap(s)

\_\_\_\_\_ Left Endcap(s)

\_\_\_\_\_ Right Endwall Flashing(s)

\_\_\_\_\_ Left Endwall Flashing(s)

\_\_\_\_\_ Overflow Scupper(s) Style \_\_\_A\_\_\_B

\_\_\_\_\_ Spillout Scupper(s) Style \_\_\_A\_\_\_B

\_\_\_\_\_ Downspout Scupper(s) Style \_\_\_A\_\_\_B

(\_\_\_\_X\_\_\_\_) Size A: Tapered 1 1/2" (38 mm) Drop  
B: Flat

PROJECT:

ARCHITECT:

ROOFING CONTRACTOR:

REPRESENTATIVE/DISTRIBUTOR:

Corporate Offices  
Dow Roofing Systems  
Nine Sullivan Road  
Holyoke, MA 01040  
P: 800-621-ROOF



ROOFING SYSTEMS

DATE: 04/11/14

DRN BY: JJC

CKD BY: SAK

SHT.# \_\_\_ OF \_\_\_

DWG# 12010-11482

D