

# VERSITRIM 2000 EXTENDED RADIUS FASCIA

FULLY ADHERED OR MECHANICALLY ATTACHED SINGLE-PLY VERSION

**IMPORTANT!!!** MUST INDICATE PROPER RADIUS CONDITION BY CIRCLING APPROPRIATE OUTSIDE FACE

PROVIDING A RADIUS  
THE RADIUS MAY BE PROVIDED  
IN ONE OF TWO METHODS:

1.) THE ACTUAL KNOWN RADIUS IS

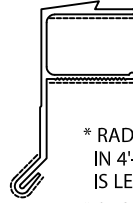
\_\_\_\_\_ ' FEET \_\_\_\_\_ " INCHES

OR

2.) FIELD CONDITION MEASUREMENTS

NOTE: REFER TO ATTACHED WORKSHEET  
FOR FURTHER INFORMATION

MINIMUM OF 4'-6"  
(CALL IF LESS)  
\* RADIUS PRODUCT NOT  
REQUIRED IF OVER 150'-0"



\* RADIUS EXTRUDED BAR PROVIDED  
IN 4'-0" LENGTHS IF RADIUS  
IS LESS THAN 48'-0".

\* RADIUS EXTRUDED BAR PROVIDED  
IN 12'-0" LENGTHS IF RADIUS  
IS 48'-0" OR GREATER.

OUTSIDE  
FACE

OUTSIDE  
FACE

ROOF LINE

RADIUS  
(PROVIDED BY APPROVER  
PER DETAIL A)

TOP  
VIEW

----- INDICATES AREAS THAT WILL BE SLIT AS  
NEEDED TO ACCOMODATE RADIUS



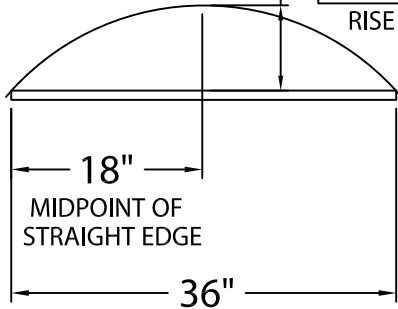
\* RADIUS FASCIA  
PROVIDED IN 4'-0"  
LENGTHS IF RADIUS IS  
LESS THAN 48'-0".

\* RADIUS FASCIA  
PROVIDED IN 12'-0"  
LENGTHS IF RADIUS IS  
48'-0" OR GREATER.



\* RADIUS CLEAT  
PROVIDED IN 4'-0"  
LENGTHS IF RADIUS IS  
LESS THAN 48'-0".

\* RADIUS CLEAT  
PROVIDED IN 12'-0"  
LENGTHS IF RADIUS IS  
48'-0" OR GREATER.



\_\_\_\_\_ " INCHES

RISE

MAXIMUM OF 3 3/32"  
(CALL IF MORE)  
\* RADIUS PRODUCT NOT  
REQUIRED IF UNDER 3/32"

18"  
MIDPOINT OF  
STRAIGHT EDGE

36"

LENGTH OF  
STRAIGHT EDGE

NOTE: CHECK MEASUREMENTS ALONG ENTIRE RADIUS.

DETAIL A

## VERSITRIM 2000 EXTENDED RADIUS FASCIA DIMENSIONS

PRODUCT ID. NO.	H DIM	X DIM
<input type="checkbox"/> AEF-85	8 1/2"	7 1/4"
<input type="checkbox"/> AEF-100	10"	8 3/4"
<input type="checkbox"/> AEF-115	11 1/2"	10 1/4"
<input type="checkbox"/> AEF-130	13"	11 3/4"

Fabrication will proceed only after receipt of signed print approval.

## Print Approval:

Architect and/or contractor shall verify all dimensions, sizes and quantities. All products to be installed in strict accordance with with Versico, Inc.'s printed instructions.

Approved by: \_\_\_\_\_

Date: \_\_\_\_\_

## MATERIAL:

\_\_\_ 22 GA. GALV. STEEL     \_\_\_ .063" ALUMINUM

\_\_\_ .050" ALUMINUM     \_\_\_ OTHER \_\_\_\_\_

COLOR: \_\_\_\_\_ FINISH: \_\_\_\_\_

## QUANTITIES:

\_\_\_\_\_ LINEAL FEET 12'-0" LENGTHS

PROJECT:

ARCHITECT:

ROOFING CONTRACTOR:

REPRESENTATIVE/DISTRIBUTOR:

Customer Service  
800-558-2162  
(Metal-Era)



DATE: 11/21/19

DRN BY: JJC

CKD BY: JAI

SHT.# \_\_\_ OF \_\_\_

DWG# 18010-2127

G