

# FIBERTITE AT FASCIA SCUPPERS

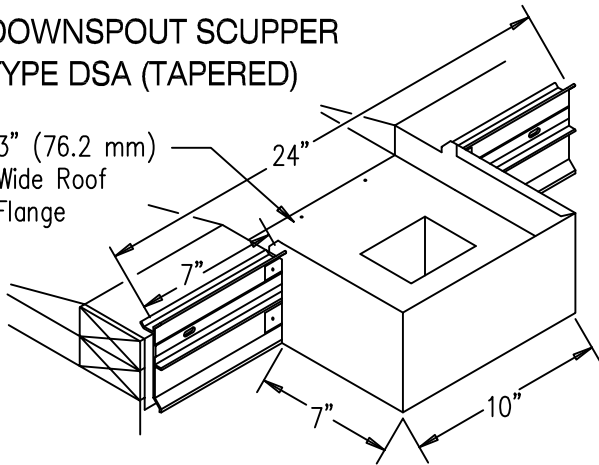
FOR USE WITH FULLY ADHERED OR MECHANICALLY ATTACHED SINGLE-PLY ROOF SYSTEMS

NOTE: TREATED WOOD NAILERS REQUIRED.

SCUPPERS -- FACTORY WELDED CONSTRUCTION

**DOWNSPOUT SCUPPER  
TYPE DSA (TAPERED)**

3" (76.2 mm)  
Wide Roof  
Flange

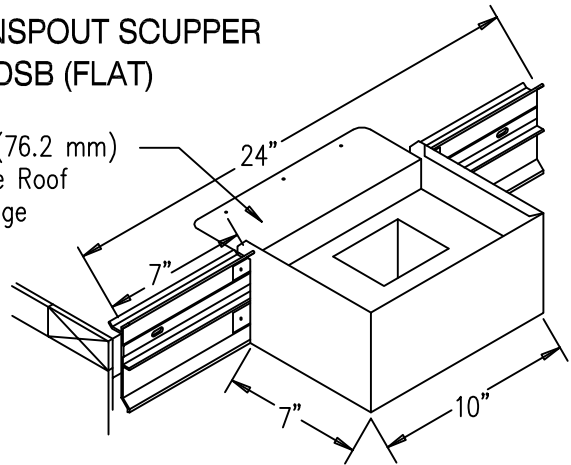


FOR USE WITH TAPERED EDGE STRIP.  
FLANGE LOWERED 1-1/2" (38.1 mm).

NOTE : SPECIFY TUBE SIZE

**DOWNSPOUT SCUPPER  
TYPE DSB (FLAT)**

3" (76.2 mm)  
Wide Roof  
Flange

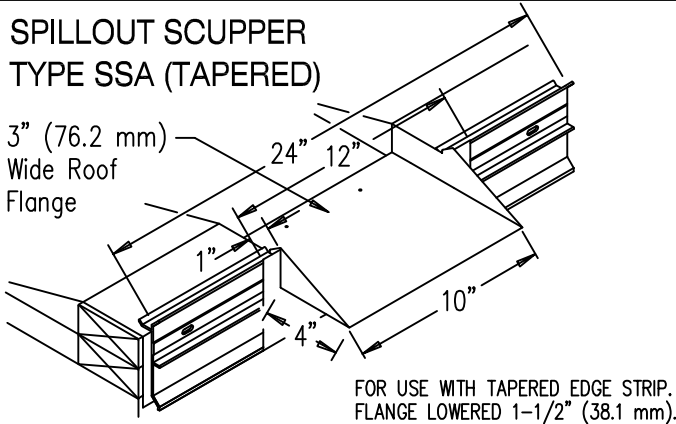


FOR USE WITHOUT TAPERED EDGE STRIP.  
FLANGE FLUSH MOUNTED WITH ROOF.

NOTE : SPECIFY TUBE SIZE

**SPILLOUT SCUPPER  
TYPE SSA (TAPERED)**

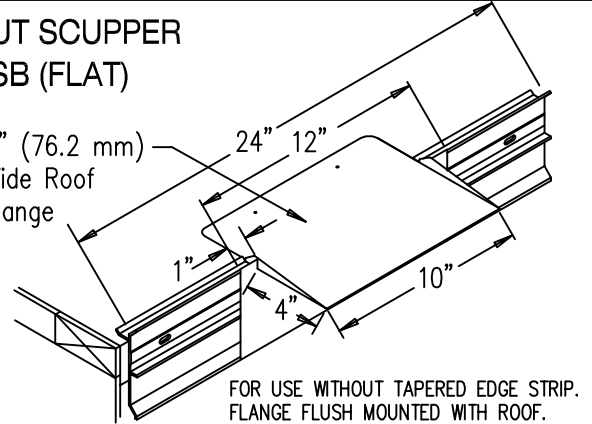
3" (76.2 mm)  
Wide Roof  
Flange



FOR USE WITH TAPERED EDGE STRIP.  
FLANGE LOWERED 1-1/2" (38.1 mm).

**SPILLOUT SCUPPER  
TYPE SSB (FLAT)**

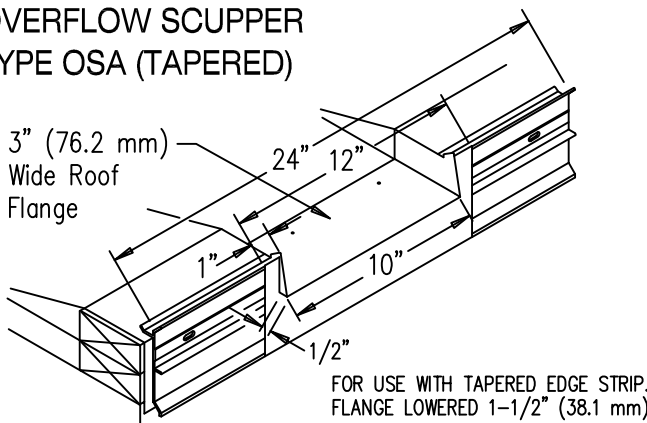
3" (76.2 mm)  
Wide Roof  
Flange



FOR USE WITHOUT TAPERED EDGE STRIP.  
FLANGE FLUSH MOUNTED WITH ROOF.

**OVERFLOW SCUPPER  
TYPE OSA (TAPERED)**

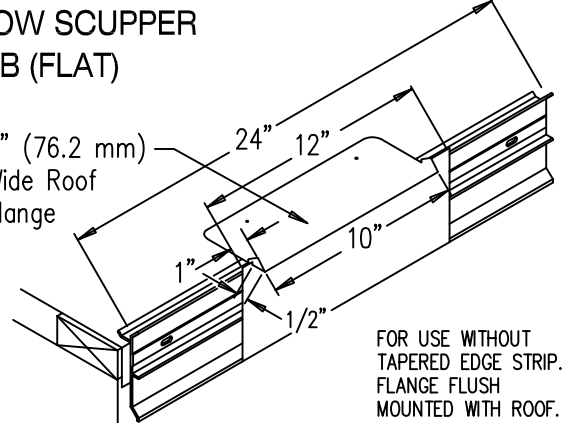
3" (76.2 mm)  
Wide Roof  
Flange



FOR USE WITH TAPERED EDGE STRIP.  
FLANGE LOWERED 1-1/2" (38.1 mm)

**OVERFLOW SCUPPER  
TYPE OSB (FLAT)**

3" (76.2 mm)  
Wide Roof  
Flange



FOR USE WITHOUT  
TAPERED EDGE STRIP.  
FLANGE FLUSH  
MOUNTED WITH ROOF.

PROJECT

ARCHITECT

ROOFING CONTRACTOR

REPRESENTATIVE/DISTRIBUTOR

Customer Service

1-800-355-6416



DATE: 08/01/03

DRN BY: JWH

CKD BY: SAK

SHT.# \_\_\_ OF \_\_\_

DWG# 23810-2418

B