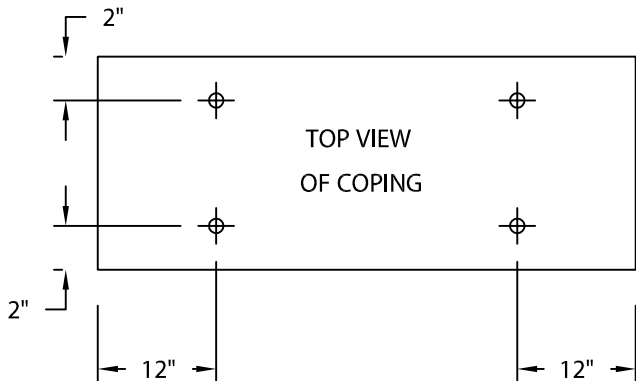
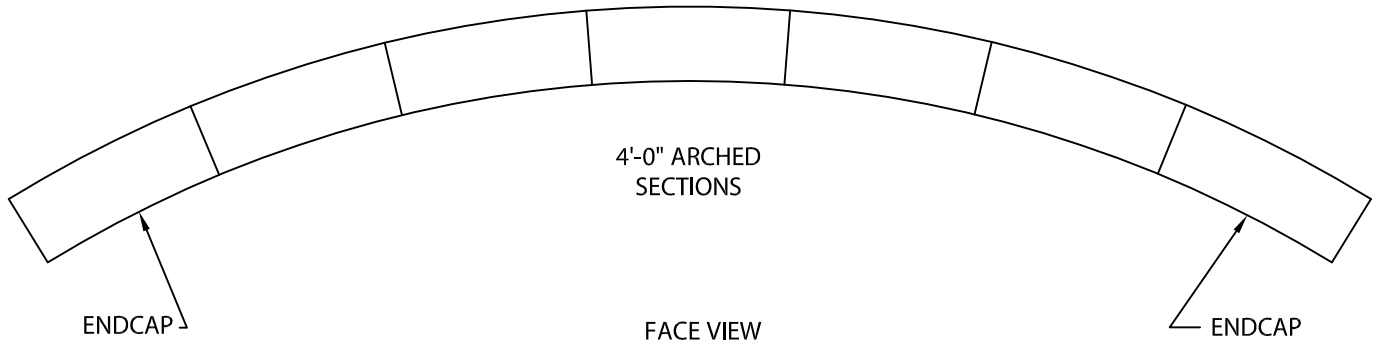


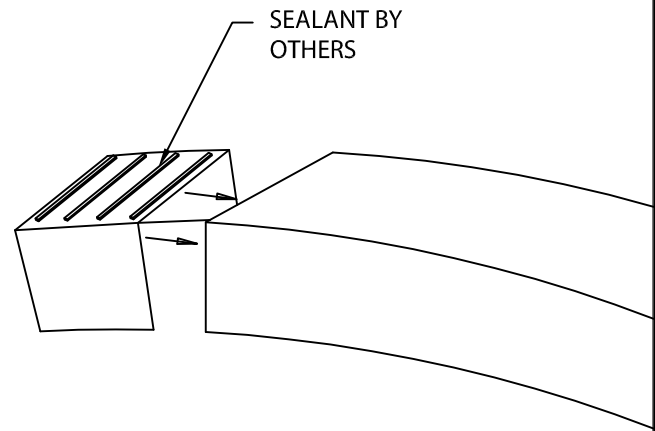
# DOW ARCHED COPING

## INSTALLATION INSTRUCTIONS



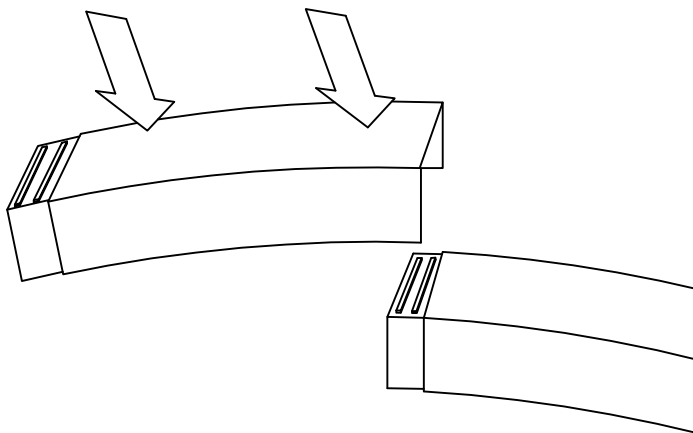
### STEP 1 - End Caps

Install endcaps by first inserting splice plate under endcap with sealant. Fasten through top of endcap as shown with provided fasteners.



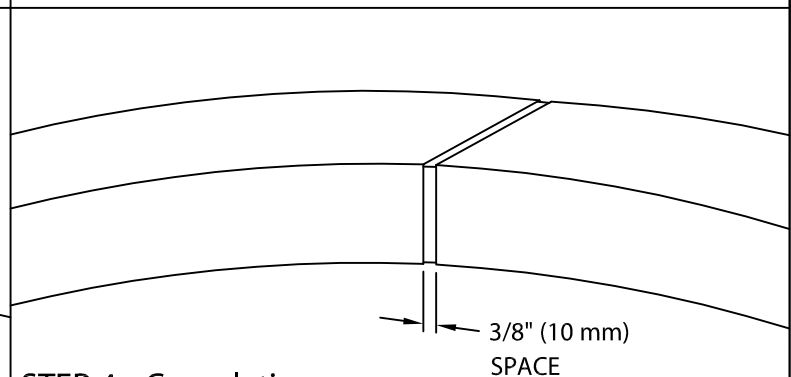
### STEP 2 - Splice Plates

Install coping by first inserting splice plate under coping as shown with sealant.



### STEP 3 - Coping Cover

Place coping into position allowing 3/8" (10 mm) space at splice joint. Fasten through top of coping as shown in step #1



### STEP 4 - Completion

Continue installing coping with a 3/8" (10 mm) space at splice joints to allow for thermal expansion. Field cut where necessary using a fine tooth hacksaw or snips. Fasten through top of coping as shown in step 1.

NOTE: REMOVE PROTECTIVE FILM IMMEDIATELY.



ROOFING SYSTEMS

P: 800-621-ROOF

DATE: 02/25/09

DRN BY: JJC

CKD BY: SAK

SHT.# \_\_\_ OF \_\_\_

DWG# 12111-8512

B