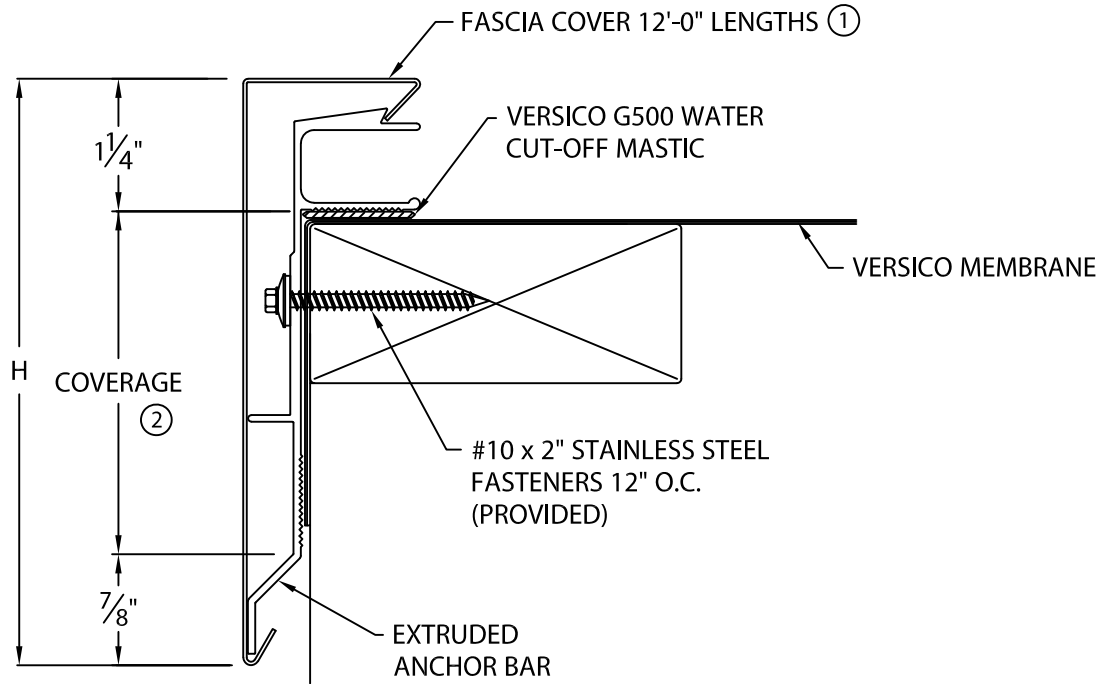




VERSITRIM 2000 HG FASCIA

FULLY ADHERED OR MECHANICALLY ATTACHED SINGLE-PLY VERSION

ANSI/SPRI ES-1 TESTED



NOTES:

- ① FASCIA COVER PROVIDED WITH 3 1/2" WIDE SPLICE PLATES.
- ② TYPICALLY COVERAGE SHOULD EXTEND A MIN. OF 1 1/2" BELOW WOOD BLOCKING IF APPLICABLE.
- ③ NOT AVAILABLE IN 24 GA. GALV. STEEL OR .040" ALUMINUM.

VERSITRIM 2000 HG FASCIA DIMENSIONS

PRODUCT ID. NO.	H DIM	COVERAGE
<input type="checkbox"/> HG-AF-40	4"	1 7/8"
<input type="checkbox"/> HG-AF-55	5 1/2"	3 3/8"
<input type="checkbox"/> HG-AF-70	7"	4 7/8"
<input type="checkbox"/> HG-AF-85	8 1/2"	6 3/8"
<input type="checkbox"/> HG-AF-100 ③	10"	7 7/8"

MATERIAL:

24 GA. GALVANIZED STEEL COLOR: _____
 22 GA. GALVANIZED STEEL FINISH: _____
 .040" ALUMINUM
 .050" ALUMINUM
 .063" ALUMINUM
 OTHER _____

QUANTITIES:

_____ LINEAL FEET 12'-0" LENGTHS
 _____ OUTSIDE MITER(S) @ 90°
 _____ INSIDE MITER(S) @ 90°
 _____ OVERFLOW SCUPPER(S) STYLE ___A___B
 _____ SPILLOUT SCUPPER(S) STYLE ___A___B
 _____ DOWNSPOUT SCUPPER(S) STYLE ___A___B
 (____x____) DOWNSPOUT SIZE A: TAPERED 1 1/2" DROP B: FLAT

FOR NON-90 MITERS SEE PRINT APPROVAL #18010-2039

Fabrication will proceed only after receipt of signed print approval.

Print Approval:

Architect and/or contractor shall verify all dimensions, sizes and quantities. All products to be installed in strict accordance with Versico, Inc's. printed instructions.

Approved by: _____

Date: _____

PROJECT:

ARCHITECT:

ROOFING CONTRACTOR:

REPRESENTATIVE/DISTRIBUTOR:

Customer Service
800-558-2162
(Metal-Era)



DATE: 01/30/20

DRN BY: JJC

CKD BY: JAI

SHT.# ____ OF ____

DWG#18010-5676

J