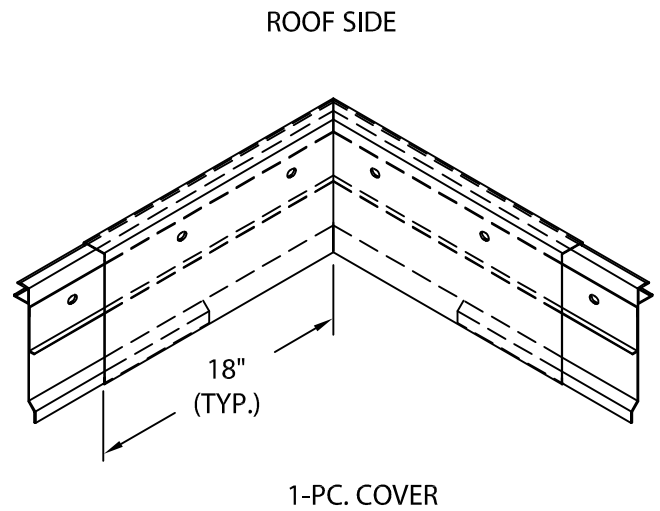
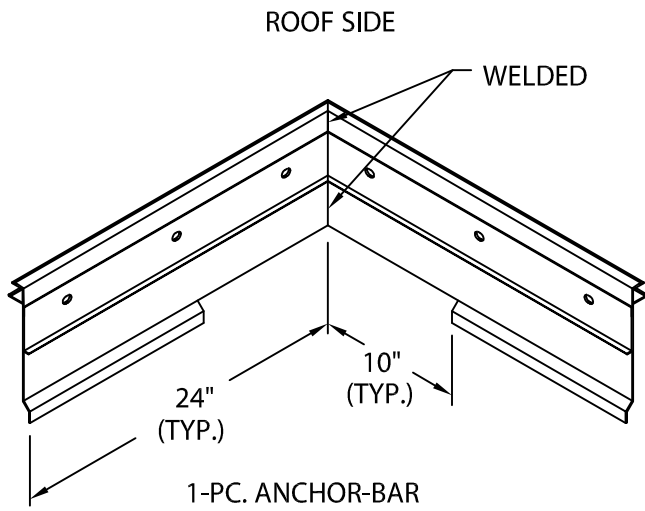


VERSITRIM 2000 HG FASCIA

FULLY ADHERED OR MECHANICALLY ATTACHED SINGLE-PLY VERSION

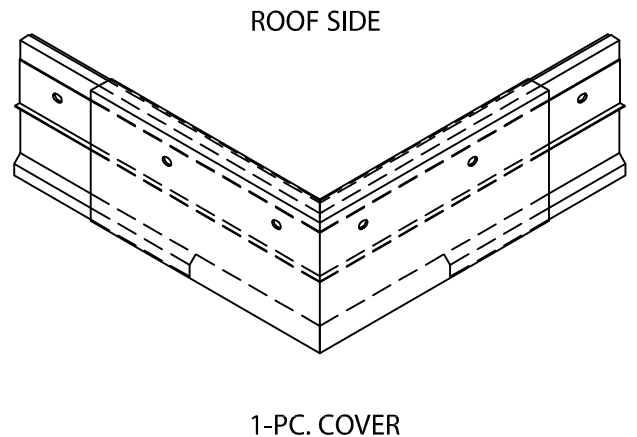
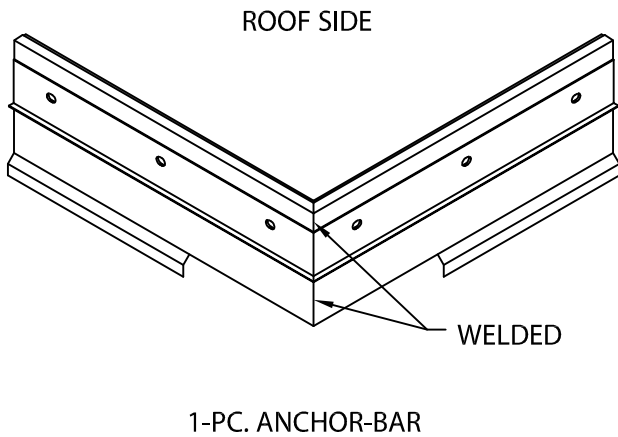
MITERS - FACTORY WELDED CONSTRUCTION

INSIDE MITER



FASTENERS INCLUDED

OUTSIDE MITER



NOTE: WOOD NAILERS REQUIRED.

PROJECT:	Customer Service 800-558-2162 (Metal-Era)
ARCHITECT:	
ROOFING CONTRACTOR:	
REPRESENTATIVE/DISTRIBUTOR:	



DATE: 07/02/08
DRN BY: JJC
CKD BY: SAK

SHT.# ___ OF ___
DWG# 18510-5679 **B**