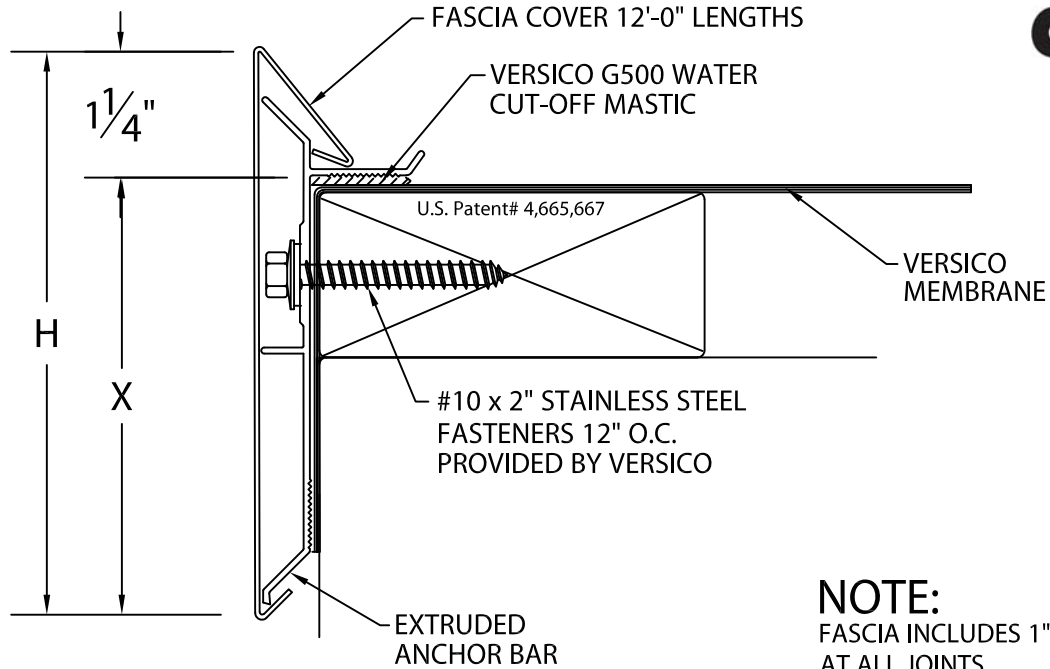




VERSITRIM 2000 STANDARD FASCIA

FULLY ADHERED OR MECHANICALLY ATTACHED SINGLE-PLY VERSION

ANSI/SPRI ES-1 DESIGN PRESSURE OF UP TO 275 psf



NOTE:
FASCIA INCLUDES 1" NOTCH FOR LAP AT ALL JOINTS.

Fascia is to be installed per Specifications and Versico's Installation Instructions Dwg. # 18110-1987

VERSITRIM 2000 STANDARD FASCIA DIMENSIONS

PRODUCT ID. NO.	H DIM	X DIM	NAILER COVERAGE
<input type="checkbox"/> V-2040	4"	2 3/4"	1 NAILER
<input type="checkbox"/> V-2055	5 1/2"	4 1/4"	2 NAILERS
<input type="checkbox"/> V-2070	7"	5 3/4"	3 NAILERS
<input type="checkbox"/> V-2085	8 1/2"	7 1/4"	4 NAILERS

MATERIAL:

24 Ga. Galv. Steel
 .040" Aluminum
 OTHER _____
 Color: _____ Finish: _____

Fabrication will proceed only after receipt of signed print approval.

Print Approval:

Architect and/or contractor shall verify all dimensions, sizes and quantities. All products to be installed in strict accordance with Versico, Inc's. printed instructions.

Approved by: _____

Date: _____

QUANTITIES:

_____ Lineal Feet (12'-0" Lengths)
 _____ Outside Miter(s) @ 90°
 _____ Inside Miter(s) @ 90°
 _____ Overflow Scupper Style ___A___B
 _____ Spillout Scupper Style ___A___B
 _____ Downspout Scupper Style ___A___B
 (____X____) Size A: Tapered 1 1/2" Drop
 B: Flat

FOR NON-90 MITERS SEE PRINT APPROVAL #18010-2039

PROJECT:

ARCHITECT:

ROOFING CONTRACTOR:

REPRESENTATIVE/DISTRIBUTOR:

Customer Service
800-558-2162
(Metal-Era)



DATE: 03/06/19

DRN BY: ZS

CKD BY: SAK

SHT.# ___ OF ___

DWG# 18010-1988

I