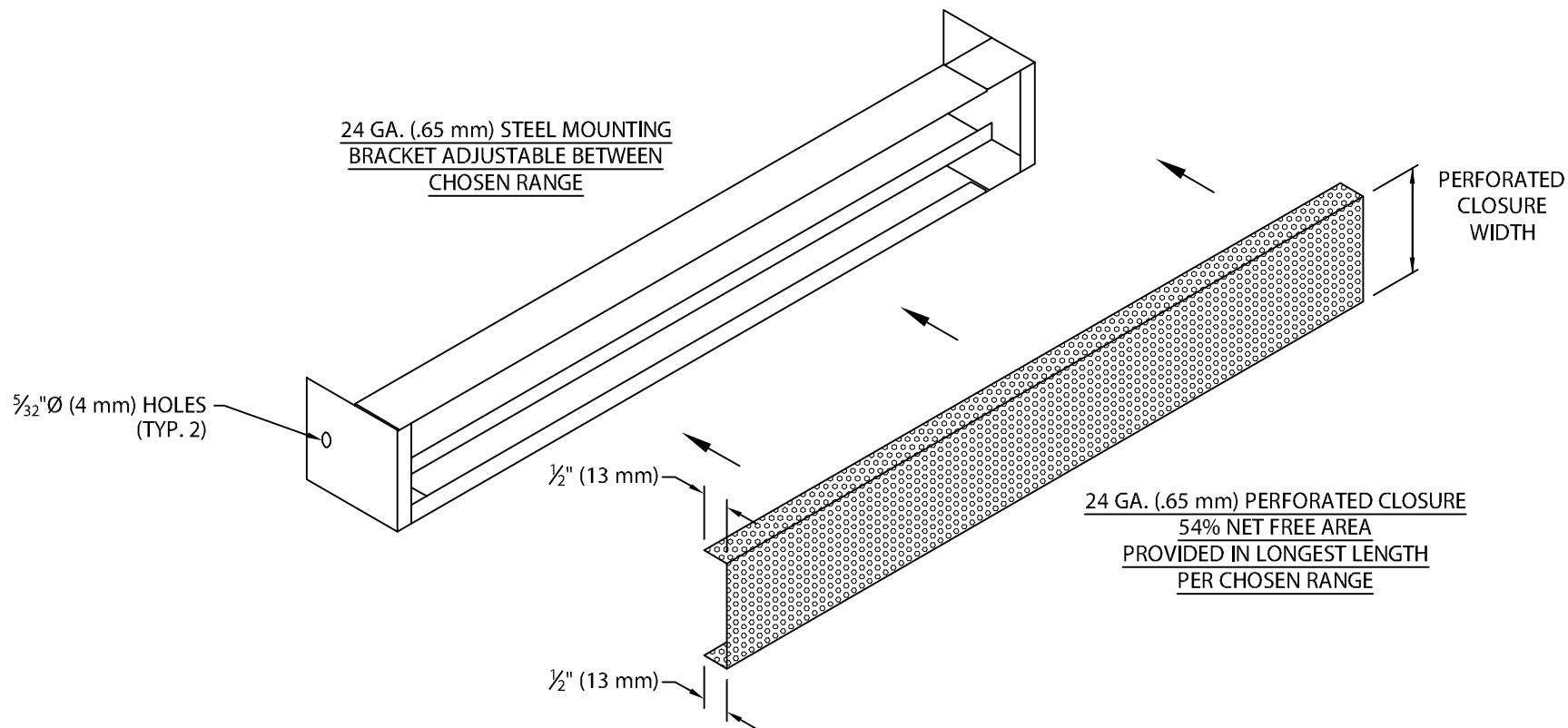


REFERENCE DETAIL:

# TECHNI-FLO TV

TRUSS VENT



TRUSS VENT IS TO BE INSTALLED PER SPECIFICATIONS AND ATLAS'S INSTALLATION INSTRUCTIONS DWG #38132-12681

Fabrication will proceed only after receipt of signed print approval.

### Print Approval:

Architect and/or contractor shall verify all dimensions, sizes and quantities. All products to be installed in strict accordance with Atlas Roofing's printed instructions.

Approved by: \_\_\_\_\_

Date: \_\_\_\_\_

#### TRUSS SPACING:

- 14" to 20"
- 20" to 28"
- 28" to 40"
- 40" to 58"

#### PERFORATED CLOSURE:

- 12 Sq In NFA (2" Width)
- 18 Sq In NFA (3" Width)
- 24 Sq In NFA (4" Width)
- Other \_\_\_\_\_

#### MATERIAL:

- 24 Ga. (.65 mm) Bone White
- 24 Ga. (.65 mm) Sandstone
- 24 Ga. (.65 mm) Dark Bronze
- 24 Ga. (.65 mm) Slate Gray

PROJECT:

ARCHITECT:

CONTRACTOR:

REPRESENTATIVE:

#### QUANTITIES:

\_\_\_\_\_ Each



Phone: 855-542-0918

Fax: 800-770-3934

atlasroofing.com

DATE: 09/11/14

SHT.# \_\_\_ OF \_\_\_

DRN BY: JJC

CKD BY: SAK

DWG# 38032-12680

C