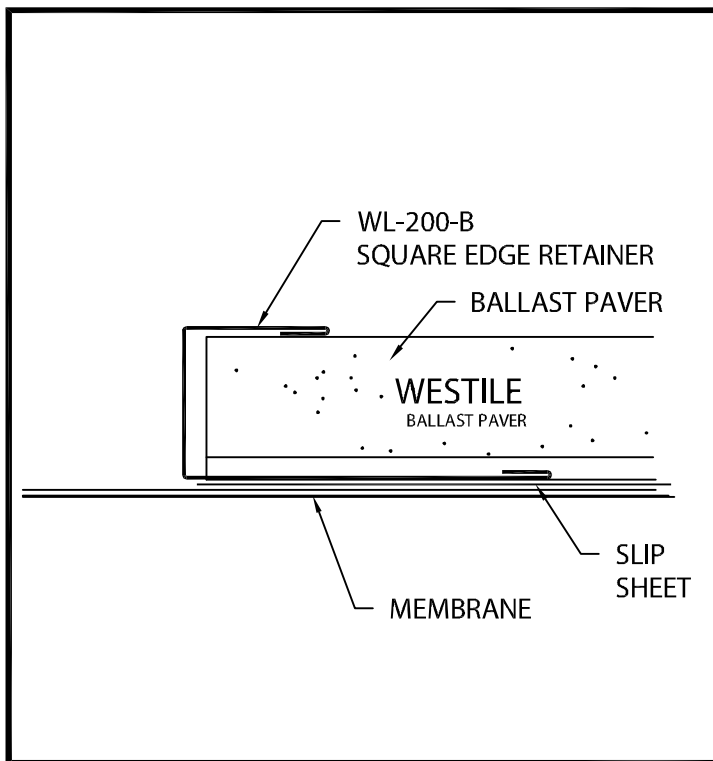
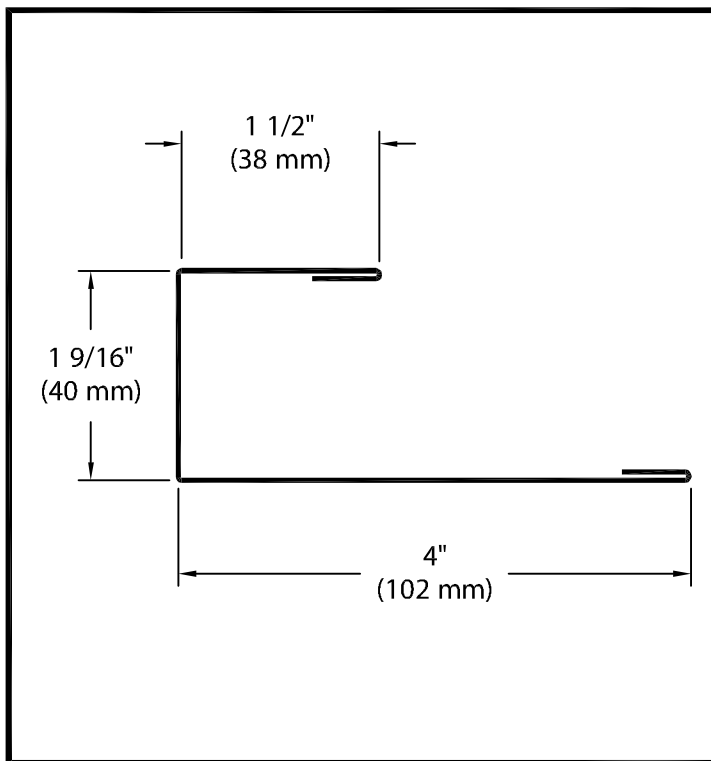


WL-200-B BUTT EDGE RETAINER

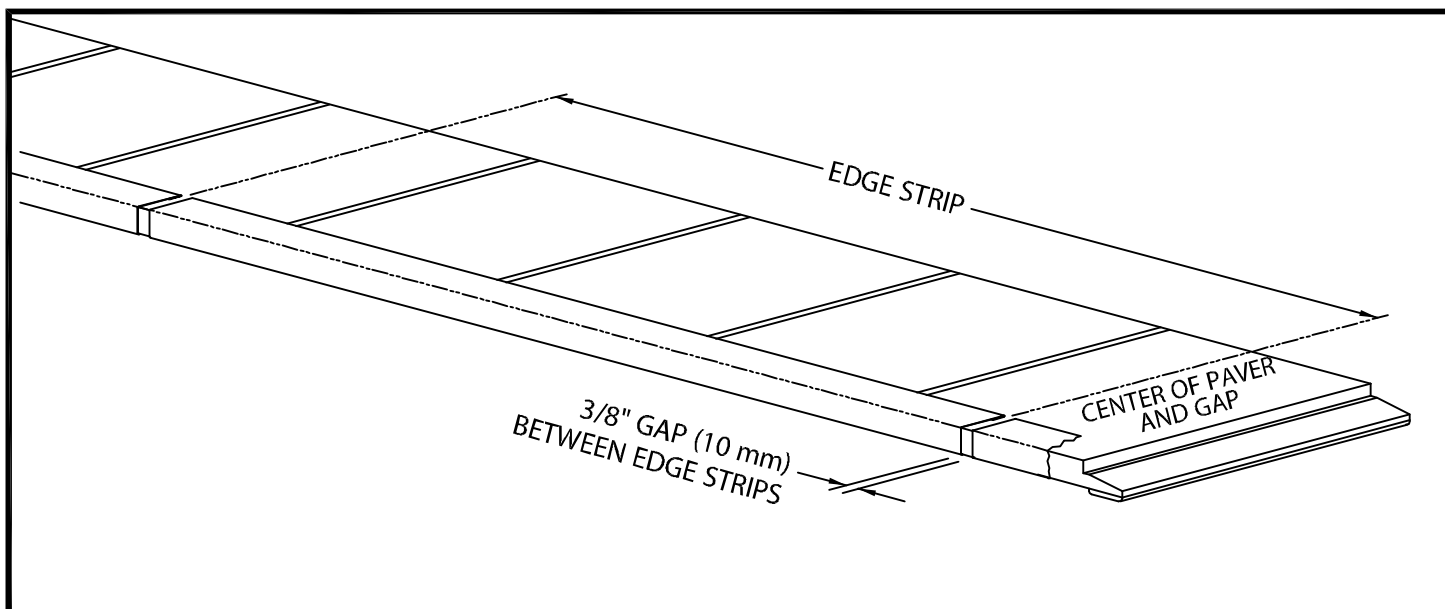
WESTILE BALLAST PAVER VERSION



TYPICAL INSTALLATION



DIMENSIONS FOR WL-200-B



TYPICAL INSTALLATION

NOTE: The edge strip shall be installed so that there is a 3/8" (10 mm) gap in the middle of a WESTILE paver unit.