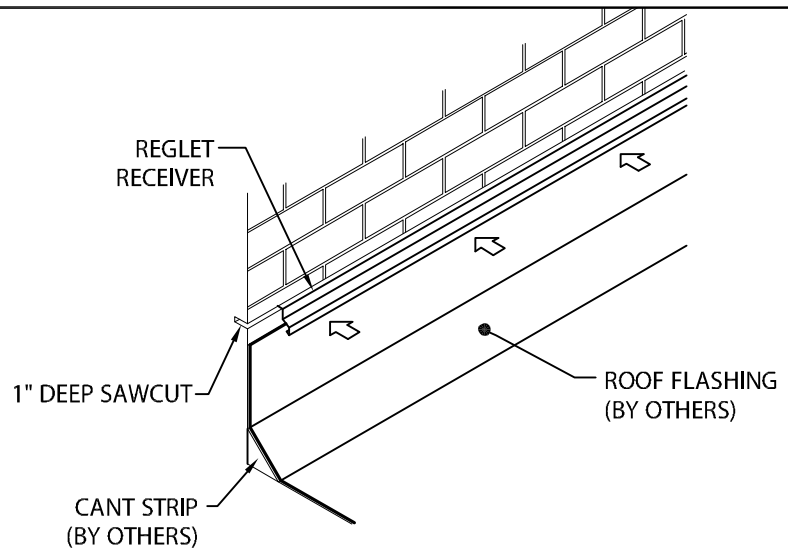


SOPREMA 2 PC COUNTERFLASHING

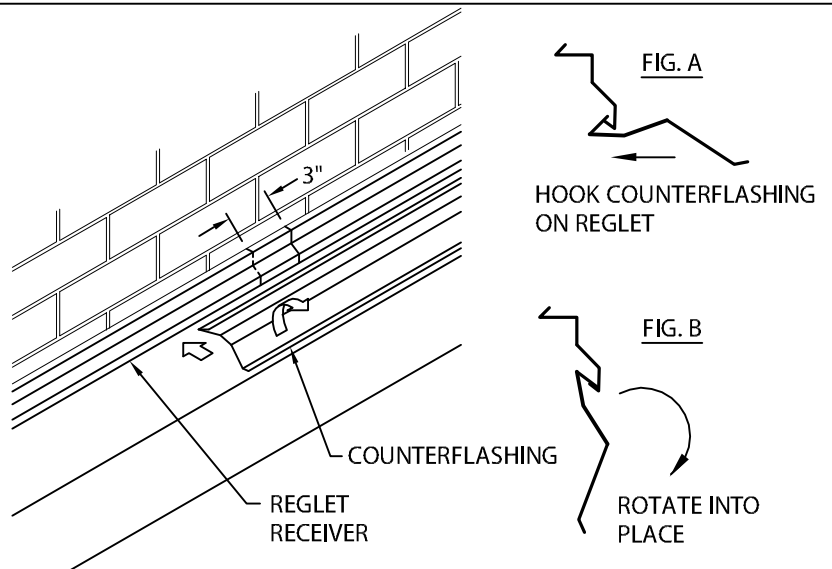
REGLET VERSION

INSTALLATION INSTRUCTIONS

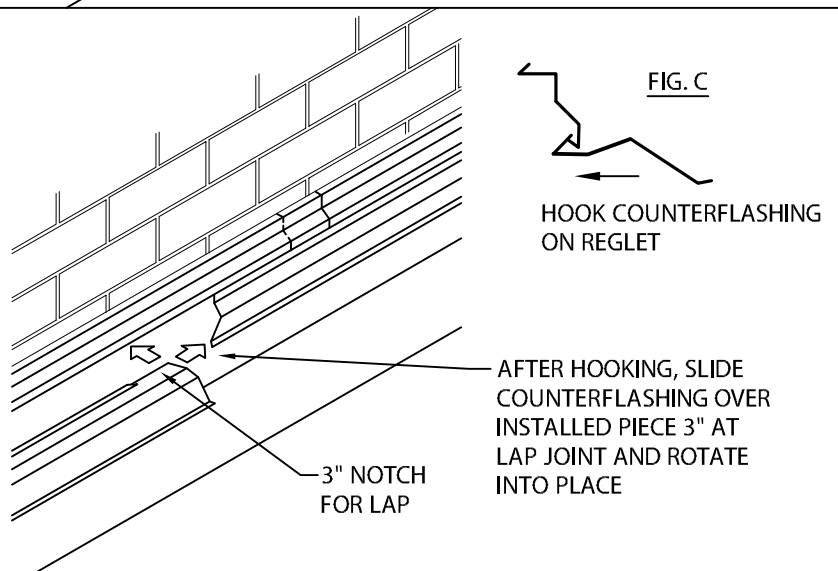
STEP 1 - REGLET RECEIVER
 INSTALL REGLET RECEIVER INTO 1" DEEP SAWCUT OR MORTAR JOINT. SAWCUT SHALL BE CUT TRUE AND LEVEL A MINIMUM OF 7" ABOVE THE HIGH POINT OF THE CANT STRIP (IF USED). INSTALL FROM RIGHT TO LEFT. LAP ENDS OF REGLET 3" AT FACTORY NOTCHED END.
 NOTE: REMOVE PROTECTIVE FILM IMMEDIATELY.



STEP 2 - COUNTERFLASHING
 PRIOR TO INSTALLING COUNTERFLASHING, REMOVE PROTECTIVE FILM. HOOK COUNTERFLASHING ONTO RECEIVER AS SHOWN IN FIG. A. ROTATE DOWNWARD INTO PLACE (FIG. B). STAGGER REGLET RECEIVER AND COUNTERFLASHING JOINTS ACCORDINGLY.



STEP 3 - COUNTERFLASHING
 REMOVE PROTECTIVE FILM. HOOK COUNTERFLASHING ONTO RECEIVER AS SHOWN IN FIG. C. SLIDE COUNTERFLASHING 3" AT LAP JOINT OVER PREVIOUSLY INSTALLED PIECE. ROTATE DOWNWARD INTO PLACE AS SHOWN IN STEP 2.



800-356-3521
 www.soprema.us

310 Quadral Dr.
 Wadsworth, OH 44281
 f: 330-334-6257

DATE: 01/09/17
 DRN BY: JJC
 CKD BY: SAK

SHT.# 1 OF 2
 DWG# 33115-24548

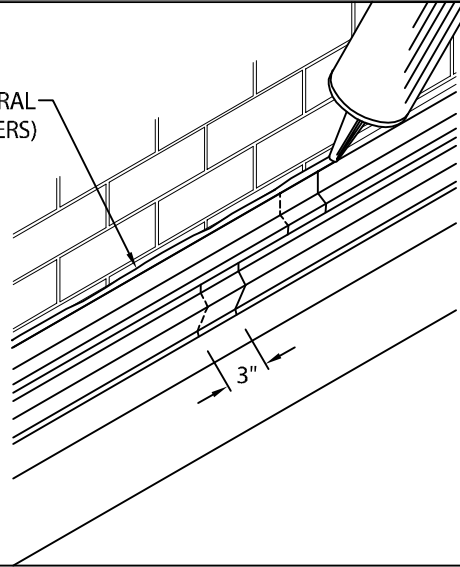
C

SOPREMA 2 PC COUNTERFLASHING

REGLET VERSION

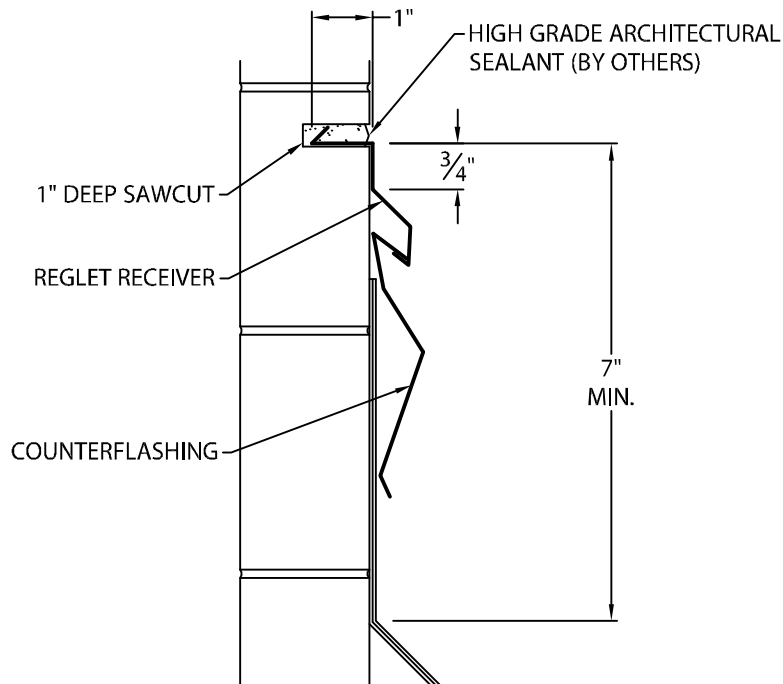
INSTALLATION INSTRUCTIONS

HIGH GRADE ARCHITECTURAL
SEALANT (BY OTHERS)



STEP 4 - COMPLETION
APPLY A CONTINUOUS BEAD OF HIGH
GRADE ARCHITECTURAL SEALANT IN
CAULK CUP OF REGLET TO COMPLETE
INSTALLATION.

TYPICAL INSTALLATION



800-356-3521
www.soprema.us

310 Quadral Dr.
Wadsworth, OH 44281
f: 330-334-6257

DATE: 01/09/17

DRN BY: JJC

CKD BY: SAK

SHT.# 2 OF 2

DWG# 41115-24545

C