



# FLEXLOCK FLE ROOF EDGE

BUILT-UP OR MODIFIED VERSION

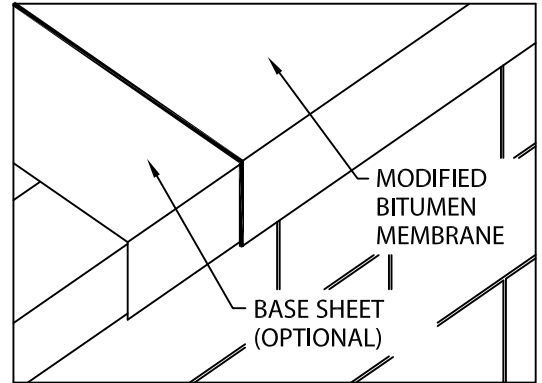
INSTALLATION INSTRUCTIONS

## For Use with Modified Roof Systems

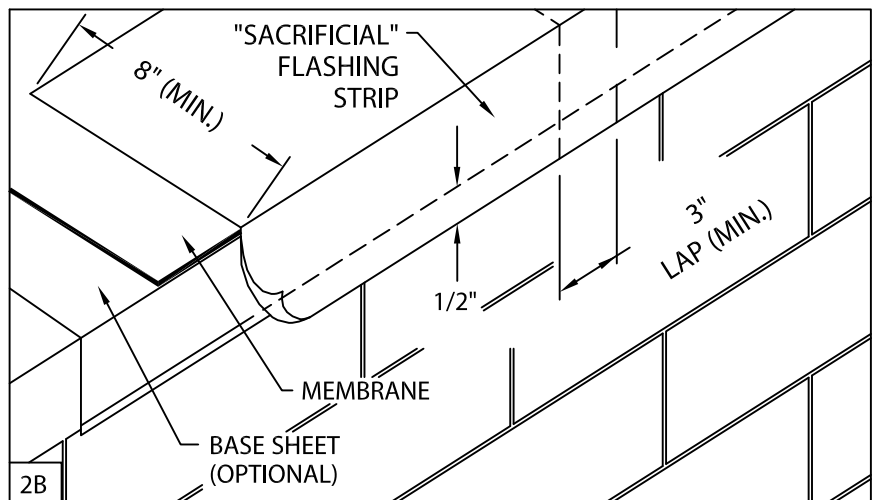
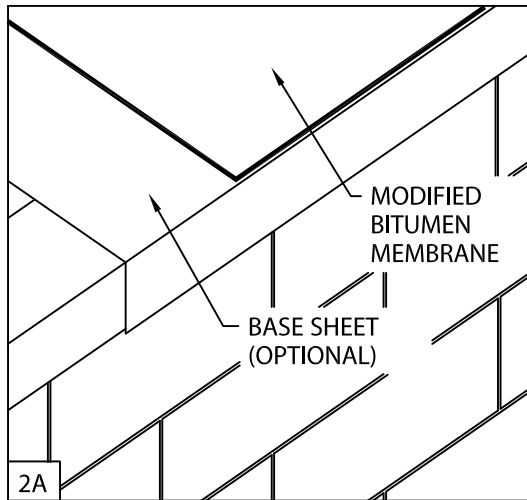
### 1. Roof Membrane

Follow the general recommendations of Flex for membrane treatment at the roof edge. Position modified membrane over the roof edge and down the outside face as shown.

**IMPORTANT!** Outside edge of treated wood nailer(s) (minimum 2 x 4) shall be aligned flush with or extend slightly past outermost edge of wall. Flexlock FLE Roof Edge is for use as a perimeter securement on roof designs where the product is not installed in a waterline. If the product will be in a waterline or requires drainage over the edge, we would recommend the use of Flexlock FLE Canted Fascia or Flexlock Drip Edge, depending on desired retention of water or drainage.



**NOTE:** May require a "sacrificial" flashing strip. (Refer to drawing 2A & 2B) Please check with Flex prior to installation.



### 2. Roof Edge

Install "sacrificial" flashing strips according to Flex's recommendations. Install the largest manageable lengths possible to minimize overlaps under the anchor bar. Following the applicable flashing method (hot mop, cold adhesive, etc..) according Flex's recommendations, lay the flashing strip into place extending a minimum 8" onto the roof membrane and down the outside face of wall, 1/2" beyond the wood nailer.

**NOTE:** In cold weather, the back of flashing strip should be treated appropriately and shorter lengths of flashing strips should be used.



Customer Service  
Phone: 800-969-0108  
Fax: 610-916-9501

DATE: 10/30/19  
DRN BY: ZS  
CKD BY: JAI

SHT.# 1 OF 5  
DWG# 28110-11334

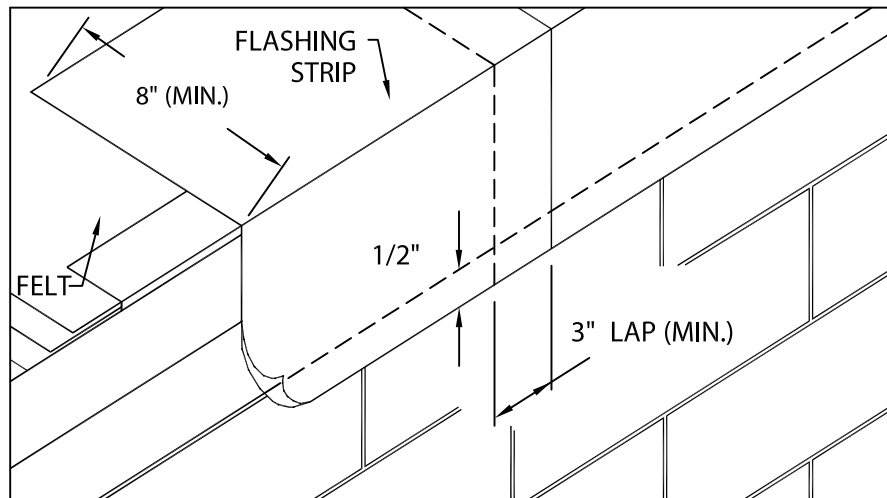
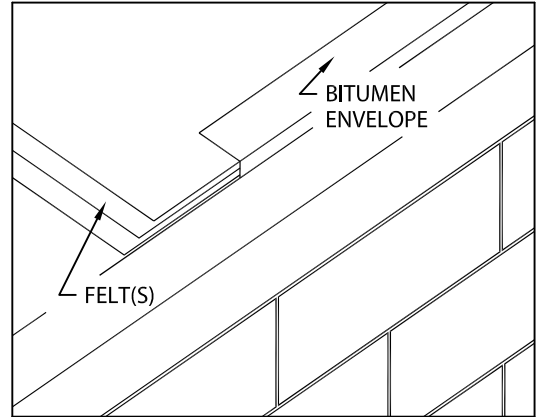
H

## For Use with Built-Up Roof Systems

### 1. Roof Membrane

Prior to the application of the Flexlock FLE Roof Edge, it is suggested that the contractor follow the common recommended industry practice of installing an "envelope" over the ends of the base or B.U.R. plies. As always, follow the general recommendations of Flex for membrane treatment at the roof edge.

**IMPORTANT!** Outside edge of treated wood nailer(s) (minimum 2 x 4) shall be aligned flush with or extend slightly past outermost edge of wall. Flexlock FLE Roof Edge is for use as a perimeter securement on roof designs where the product is not installed in a waterline. If the product will be in a waterline or requires drainage over the edge, we would recommend the use of Flexlock FLE Canted Fascia or Flexlock Drip Edge, depending on desired retention of water or drainage.



### 2. Roof Edge

Cut flashing strip into the longest possible sections manageable to minimize laps at the edge. Starting at outside edge, mop surface of felts out onto the roof membrane with Type III or IV asphalt. Lay the flashing strip into place over the roof edge extending 1/2" below nailer and onto the roof membrane a minimum of 8". The sheet should be "worked-in" to ensure that it is firmly and uniformly bonded. In cool or cold weather, the back of flashing strip should also be mopped with the hot bitumen, and shorter lengths of flashing strips should be used. Laps in the flashing strip should be a minimum of 3" and well sealed.

**NOTE!** Flashing strip is material used in construction of traditional flashing systems on built-up roofs. It readily conforms to transitions at the outside edge and wall area. (Follow general recommendations of Flex.)

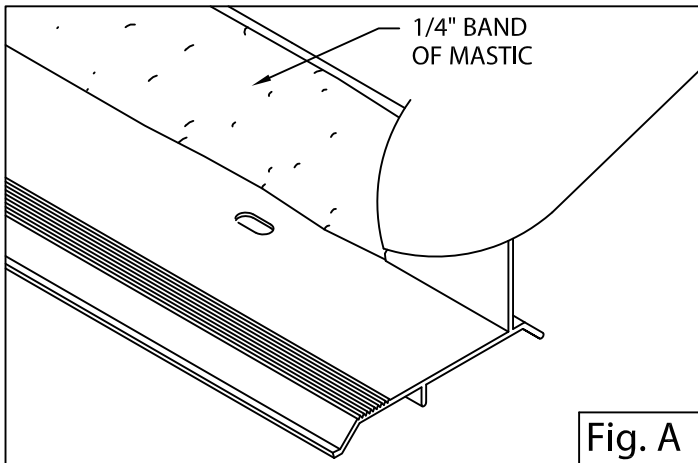


Fig. A

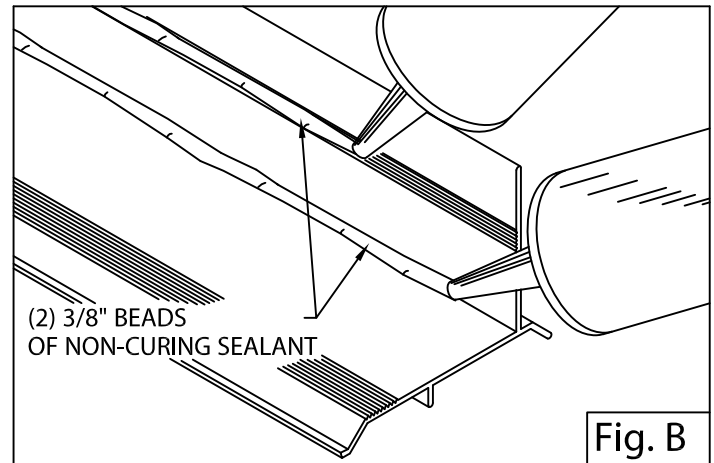
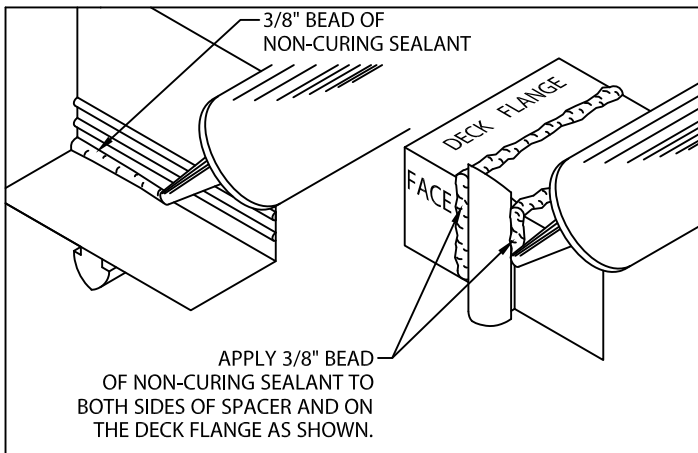


Fig. B

OPTIONAL INSTALL

### 3. Miter & Scupper Anchor Bar (Preparation)

Lay miters and spillout scuppers on deck with outside face down. Be sure aluminum anchor bar is clean and free of dirt or dust. Refer to Fig. A or B, depending on Flex's recommendations. For Fig. A, apply a 3" wide 1/4" thick band of mastic to the back of the anchor bar as shown. For Fig. B Apply a heavy 3/8" bead of non-curing sealant to the back of anchor bar as shown. Application of either type of mastic or sealant is required along the full length of each miter anchor bar.

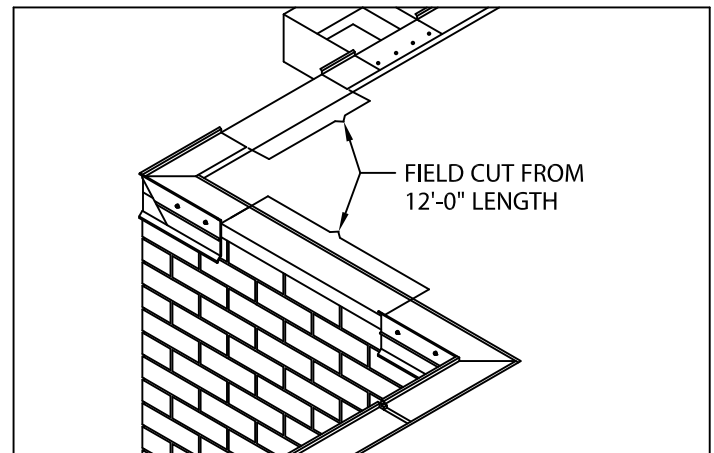


### 4. Anchor Bar Splice Plates

Apply mastic or sealant to each splice plate as shown and as described in STEP 3. Ensure the sealant is placed into the grooves along the spacer.

**CAUTION!** Installers shall wear protective eyewear to prevent injury. Do not over-drive fasteners, as stripping can occur at high driver torque. Recommended driving tool: 600-800 rpm electric drill equipped with depth-sensing nosepiece to prevent over-driving and stripout.

**Do not use impact type tool.**



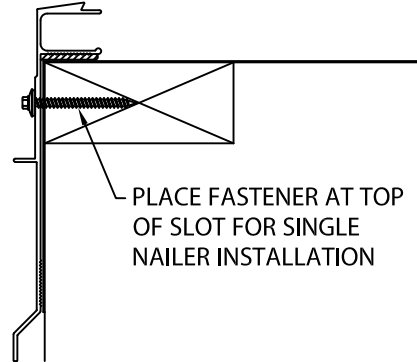
### 5. Miter Bar Installation

Install miters using 2" stainless steel fasteners and driver bit furnished by Flex. Fasten anchor bar corners to nailer with one splice plate under each end of corner. The anchor bar must insert into the grooves of the splice plate. Next locate and install spillouts and scuppers with mastic or sealant 2" fasteners and anchor bar splice plates.

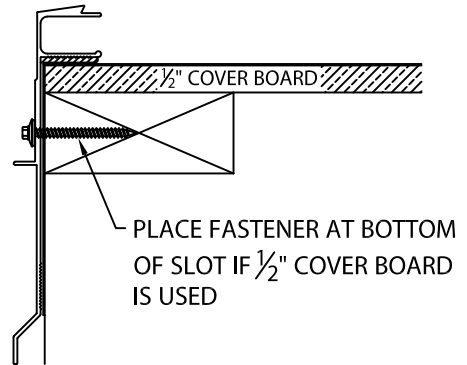
# DIAGONAL SLOT ANCHOR BAR INSTALLATION

NOTE: IF THE SLOTS ON THE ANCHOR BAR ARE ALL HORIZONTAL, NOT DIAGONAL, FASTEN IN THE CENTER OF THE SLOT

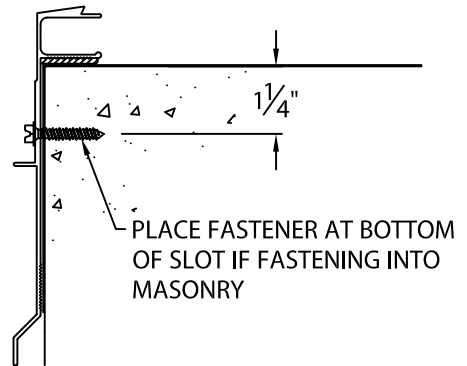
PLACE FASTENER AT TOP OF SLOT FOR SINGLE NAILER INSTALLATION



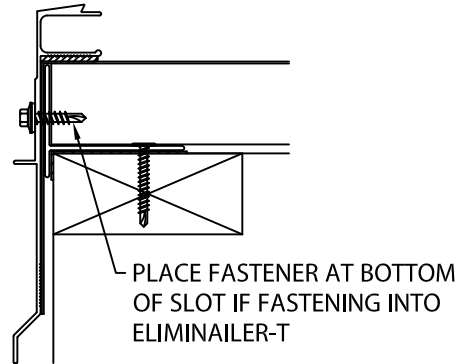
PLACE FASTENER AT BOTTOM OF SLOT IF 1/2" COVER BOARD IS USED



PLACE FASTENER AT BOTTOM OF SLOT IF FASTENING INTO MASONRY



PLACE FASTENER AT BOTTOM OF SLOT IF FASTENING INTO ELIMINAILER-T

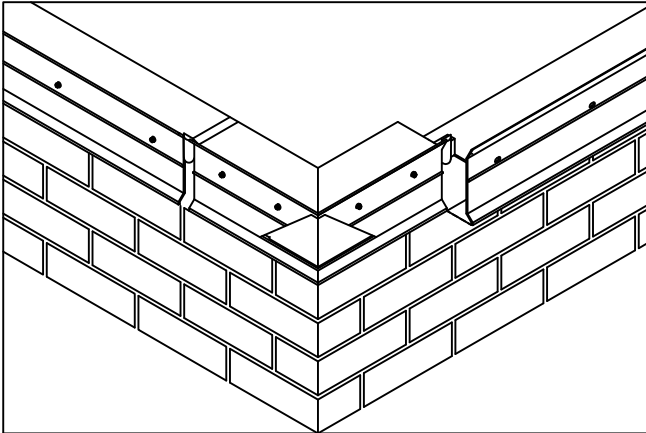




# FLEXLOCK FLE ROOF EDGE

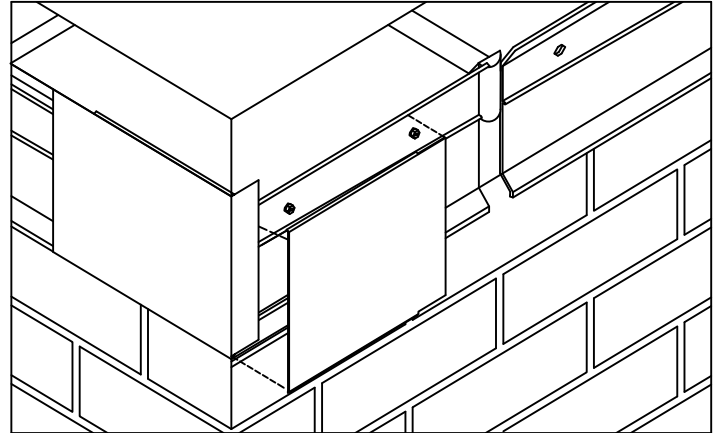
BUILT-UP OR MODIFIED VERSION

**IMPORTANT!** Be sure to remove protective plastic film prior to installing each fascia section.



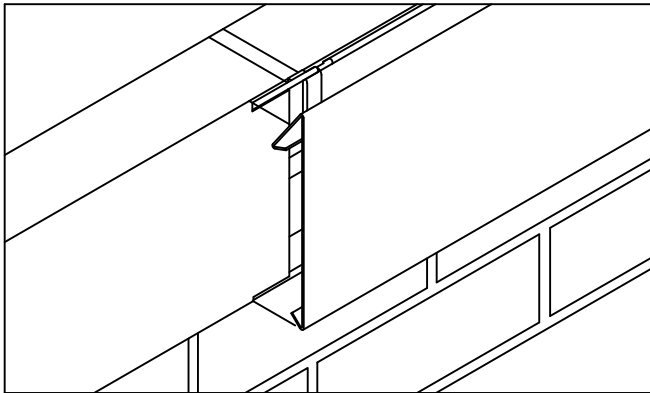
## 6. Anchor Bar (Installation)

Position 12'-0" sections of anchor bar with applied mastic or sealant as shown in steps 3 & 4 overlapping anchor bar splice plate. Allow 3/8" (space between anchor bars. Install anchor bar splice plate at other end of 12'-0" bar. Fasten anchor bar 12" O.C. through slots using 2" stainless steel fasteners provided. The anchor bar must insert into the grooves of the splice plate. Field cut sections as necessary.



## 7. Fascia Miters Covers

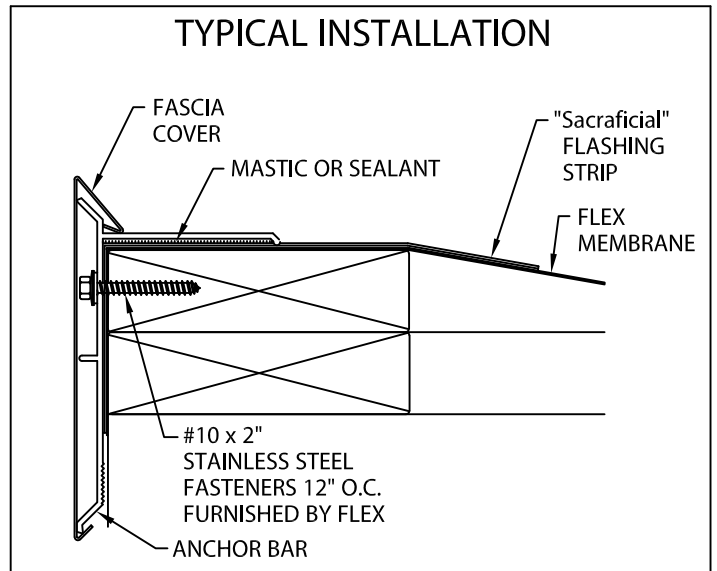
Install 2-piece "snap-on" fascia miter covers first by snapping on fascia corner cover with 90° (degree) tab, followed by fascia miter without the tab. Simply position the cover atop bar and with palm of hand apply slight pressure downward until engaged to anchor bar.



## 8. Fascia Panels

Position 12'-0" fascia panels on top of anchor bar and overlap preceding panel approximately 1" at notches provided. Fascia panels shall be installed from right to left as seen from rooftop. With fascia panels in correct position atop anchor bar, simply snap each section onto anchor bar by applying downward pressure with palm of the hand until the fascia cover is fully engaged along the entire length. Continue to install fascia panels, field cutting where necessary using fine tooth hacksaw.

### TYPICAL INSTALLATION



**IMPORTANT!** Be sure to remove protective film prior to installing each fascia section.



Customer Service  
Phone: 800-969-0108  
Fax: 610-916-9501

DATE: 10/30/19

DRN BY: ZS

CKD BY: JAI

SHT.# 4 OF 5

DWG# 28110-11334

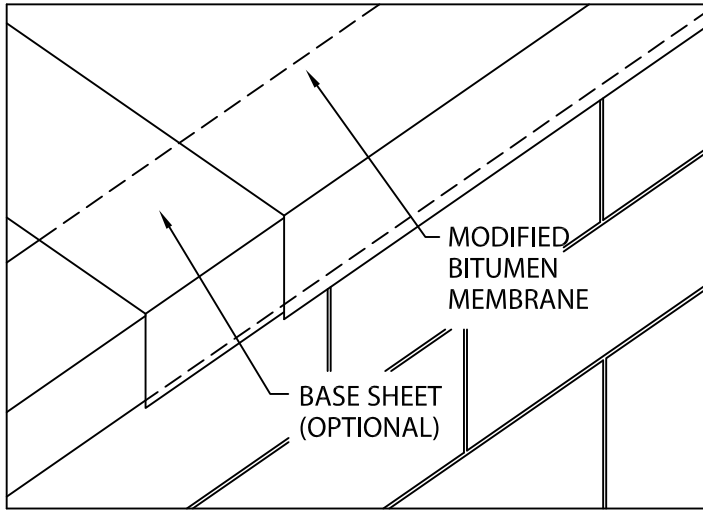
H



# FLEXLOCK FLE ROOF EDGE

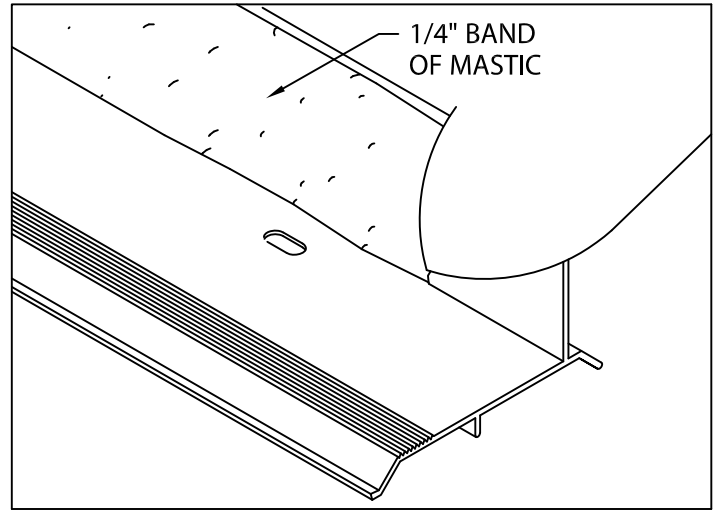
BUILT-UP OR MODIFIED VERSION

## SCUPPER INSTALLATION INSTRUCTIONS



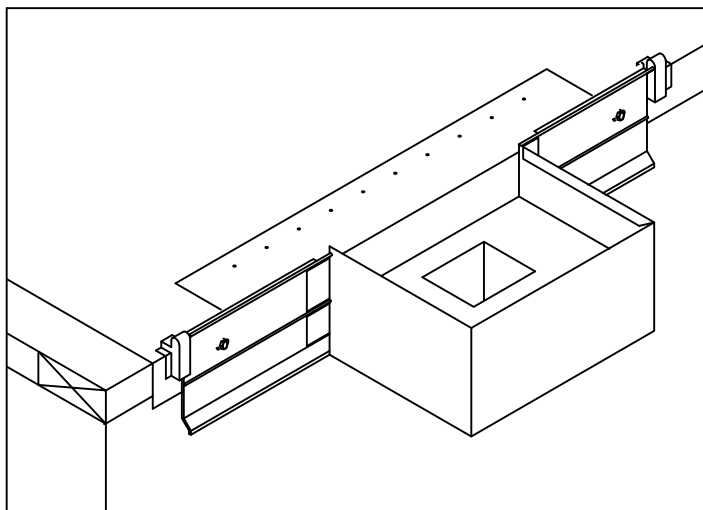
### 1. Roof Membrane

Follow the general recommendations of Flex for membrane treatment at the roof edge. Position modified membrane over the roof edge and down outside face of wall as shown.



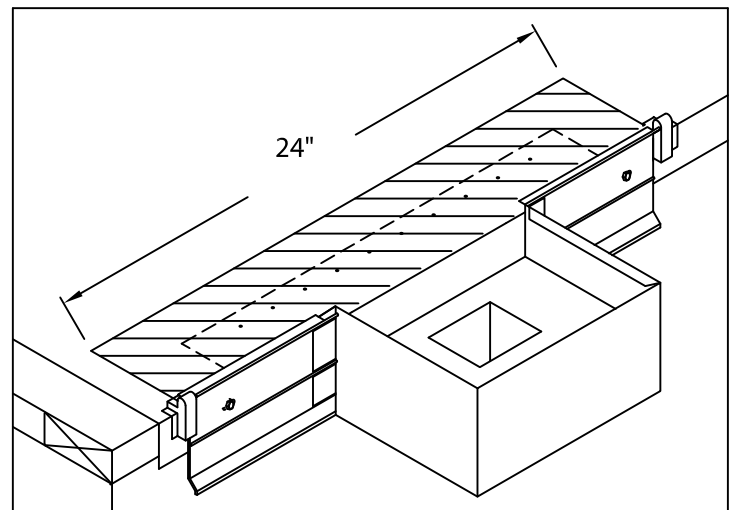
### 2. Scupper Anchor Bar (Preparation)

Lay miters and spillout scuppers on deck with outside face down. Be sure aluminum anchor bar is clean and free of dirt or dust. Apply a 3 1/2" wide 1/4" thick band of mastic to the back of the anchor bar as shown. Application of mastic is required along the full length of each miter anchor bar.



### 3. Scupper Installation

Install scuppers using 2" stainless steel fasteners. Fasten the scuppers to nailers with one splice plate under each end of scupper anchor bar. Position adjacent 12'-0" sections into the grooves of the splice plate.



### 4. Flashing Installation

Overlay scupper deck flange with flashing material as specified by Flex.



Customer Service  
Phone: 800-969-0108  
Fax: 610-916-9501

DATE: 10/30/19  
DRN BY: ZS  
CKD BY: JAI

SHT.# 5 OF 5  
DWG# 28110-11334

H