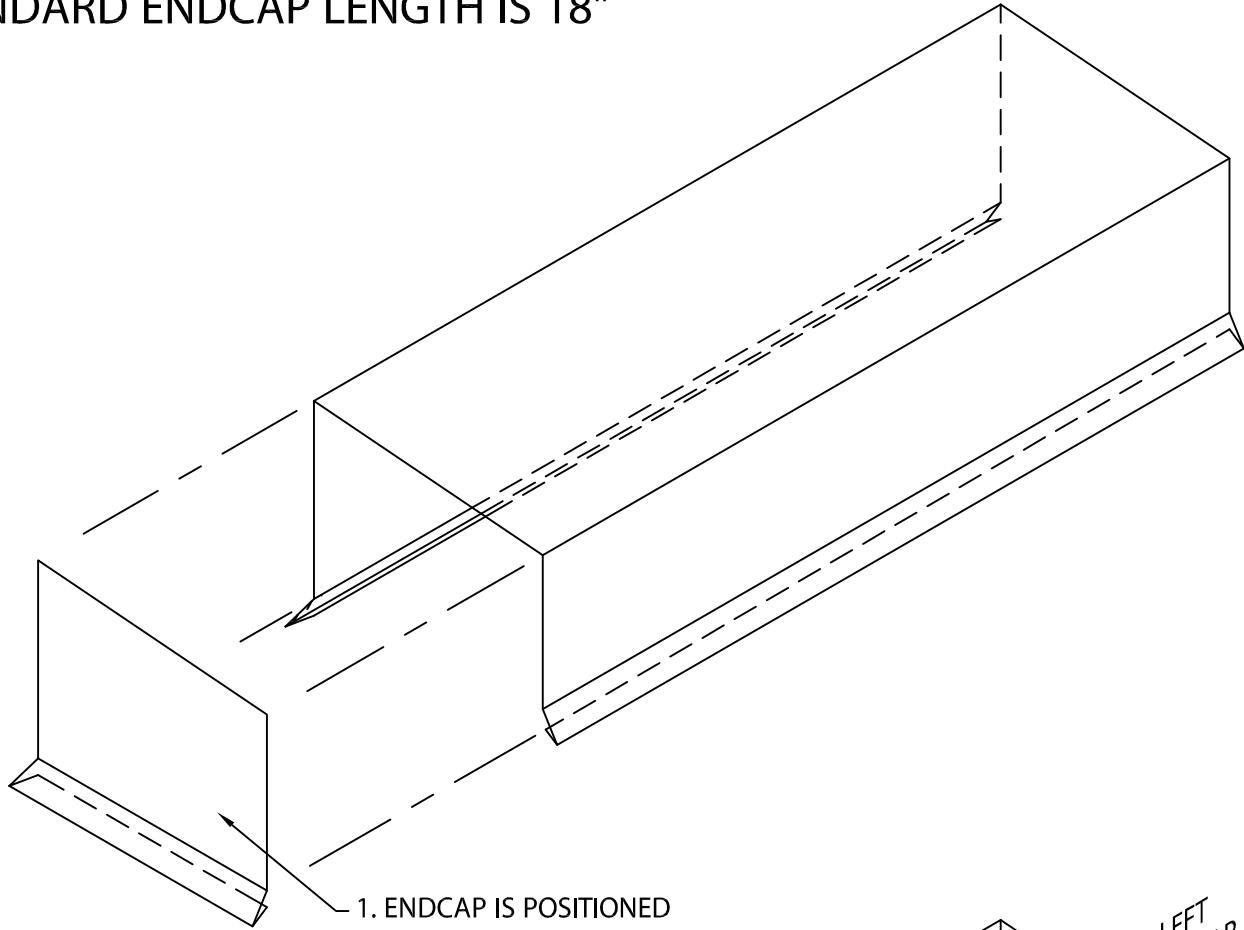


# FLEXCAP FLC COPING ENDCAPS

WELDED POST-FINISHED ENDCAP ASSEMBLY

STANDARD ENDCAP LENGTH IS 18"



1. ENDCAP IS POSITIONED AGAINST COPING AND WELDED INTO PLACE

2. PIECE IS POST-COATED AFTER FABRICATION AND WELDING

OUTSIDE FACE

LEFT ENDCAP

INSIDE FACE

WELDED ENDCAPS ARE FABRICATED WITH FULLY WELDED OUTSIDE CORNERS



Customer Service  
Phone: 800-969-0108  
Fax: 610-916-9501

DATE: 12/13/10  
DRN BY: JJC  
CKD BY: SAK

SHT.# \_\_\_ OF \_\_\_  
DWG# 28511-3469

C