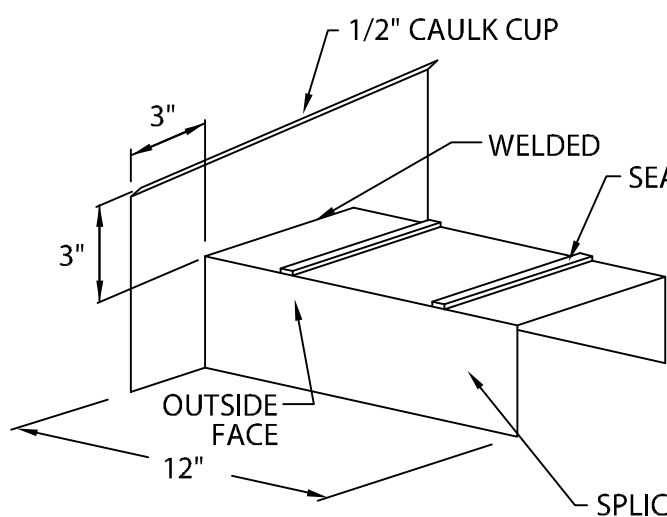
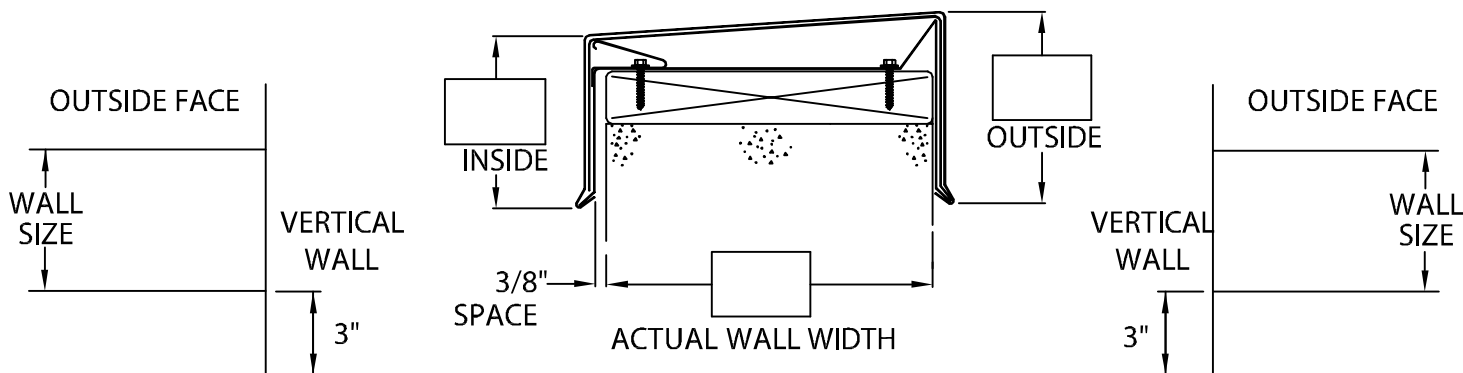
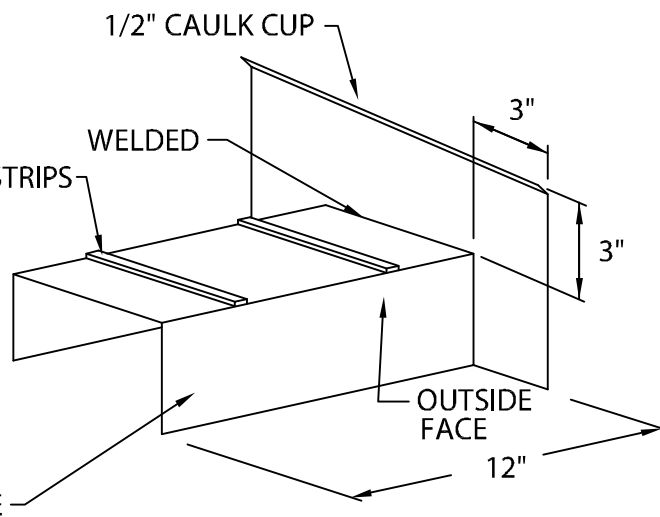


ENDWALL FLASHING

SPLICE PLATE VERSION



RIGHT END



LEFT END

DIRECTION IS DETERMINED AS SEEN FROM ROOF SIDE

MATERIAL:

.040" ALUMINUM

COLOR: _____

FINISH: _____

QUANTITIES:

_____ RIGHT END FLASHING

_____ LEFT END FLASHING

AUTHORIZED SIGNATURE:

APPROVED BY: _____

DATE: _____

PROJECT:

ARCHITECT:

ROOFING CONTRACTOR:

REPRESENTATIVE/DISTRIBUTOR:

Customer Service
1-800-727-9872



DERBIGUM®
MAKING BUILDINGS SMART

DATE: 02/11/17

DRN BY: JJC

CKD BY: SAK

SHT.# ____ OF ____

DWG# 20011-25693

A