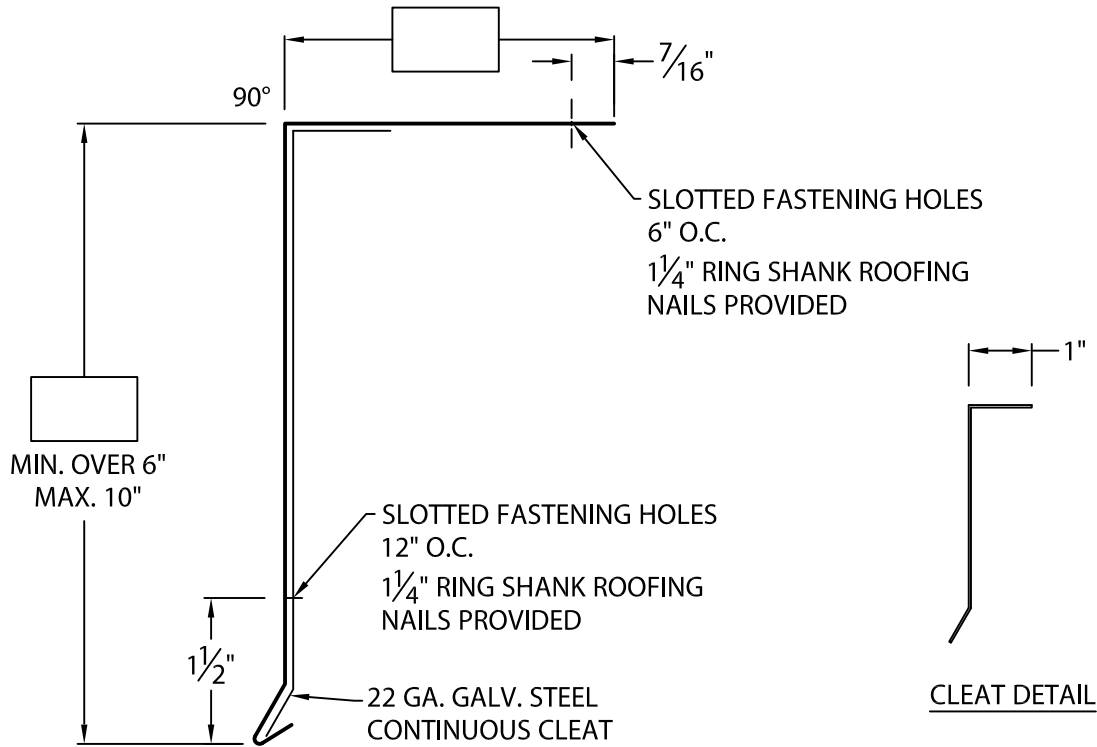




# JOHNS MANVILLE DRIP EDGE

OVER 6" TO 10" FACE HEIGHT WITH CONTINUOUS CLEAT VERSION

ANSI/SPRI/FM 4435/ ES-1 DESIGN PRESSURE OF 177 psf



## NOTES:

- INCLUDES 6" WIDE CONCEALED SPLICE PLATES.
- CONCEALED SPLICE PLATES MUST BE FIELD CAULKED TO PREVENT WATER ENTRY.
- UNLESS OTHERWISE NOTES, FABRICATION OF MITERS AND ACCESSORIES ARE FURNISHED STANDARD UTILIZING A NON-PENETRATING QUICKLOCK JOINT, THEN FACTORY SEALED WATERTIGHT.

Fabrication will proceed only after receipt of signed print approval.

## Print Approval:

Architect and/or contractor shall verify all dimensions, sizes and quantities. All products to be installed in strict accordance with Johns Manville's printed instructions.

Approved by: \_\_\_\_\_

Date: \_\_\_\_\_

FOR FACE SIZES 6" OR LESS SEE PRINT APPROVAL #16010-5965

-- WELDED MITERS AND ACCESSORIES

CHECK ONE  REQUIRED (SURCHARGE)  NOT APPLICABLE

## MATERIAL:

- \_\_\_\_ 24 GA. GALVANIZED STEEL
  - \_\_\_\_ .040" ALUMINUM
  - \_\_\_\_ .050" ALUMINUM
  - \_\_\_\_ .063" ALUMINUM
  - \_\_\_\_ OTHER \_\_\_\_\_
- COLOR: \_\_\_\_\_
- FINISH: \_\_\_\_\_

## QUANTITIES:

- \_\_\_\_\_ LINEAL FEET 12'-0" LENGTHS
- \_\_\_\_\_ OUTSIDE MITERS @ 90°
- \_\_\_\_\_ INSIDE MITERS @ 90°

FOR NON 90° MITERS SEE PRINT APPROVAL #16010-2320

PROJECT:

ARCHITECT:

ROOFING CONTRACTOR:

REPRESENTATIVE/DISTRIBUTOR:

51 Lexington Street; Lewiston, ME 04240  
 CUSTOMER SERVICE: 800-223-8317 USA  
 800-445-1500 Canada  
 TECHNICAL SERVICE: 800-445-1500 USA & Canada  
 FAX: 207-784-0125  
 OTHER AREAS CALL: 207-784-0123



DATE: 12/12/19

DRN BY: JJC

CKD BY: JAI

SHT.# \_\_\_\_ OF \_\_\_\_

DWG# 16010-24922

B