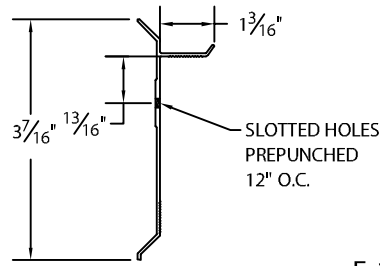


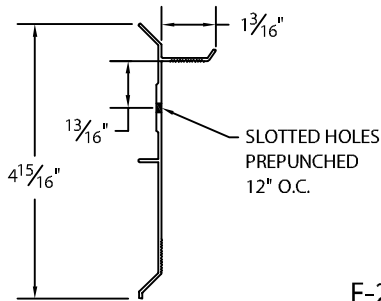
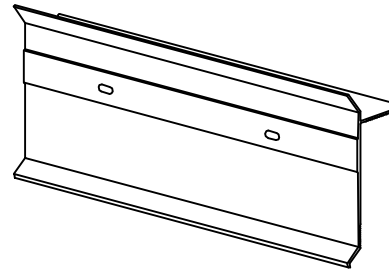


FIBERTITE AT FASCIA

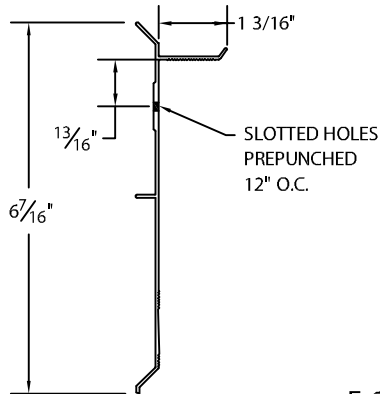
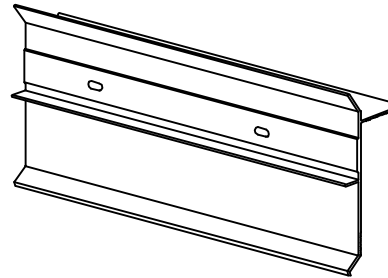
ANCHOR BAR DETAILS



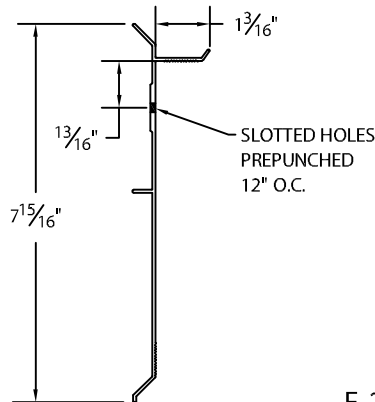
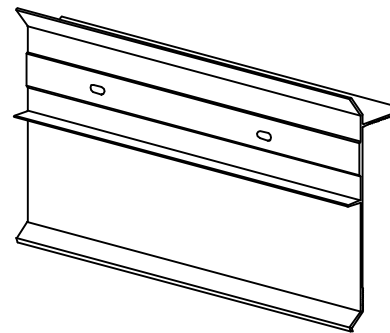
F-2040



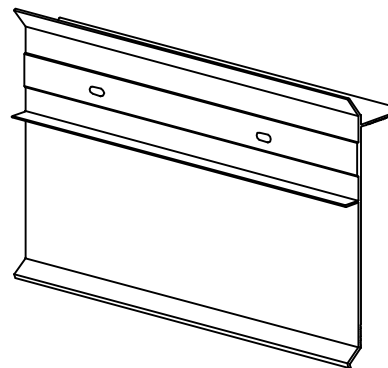
F-2055



F-2070



F-2085



NOTE: Hole locations can be varied to meet existing roof conditions.



Phone: 800-927-8578
ext. 1235
fax: 330-263-6950

DATE: 03/20/17
DRN BY: JJC
CKD BY: SAK

SHT.# ____ OF ____

DWG# 23510-2421

C