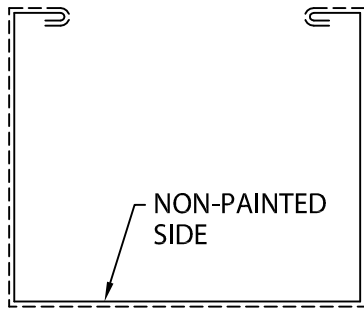
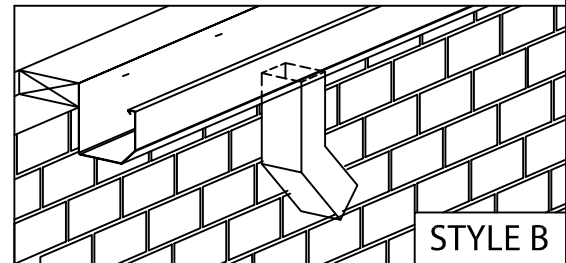
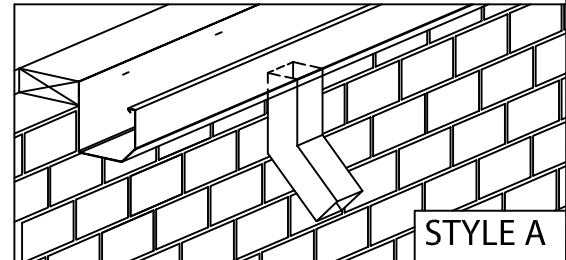
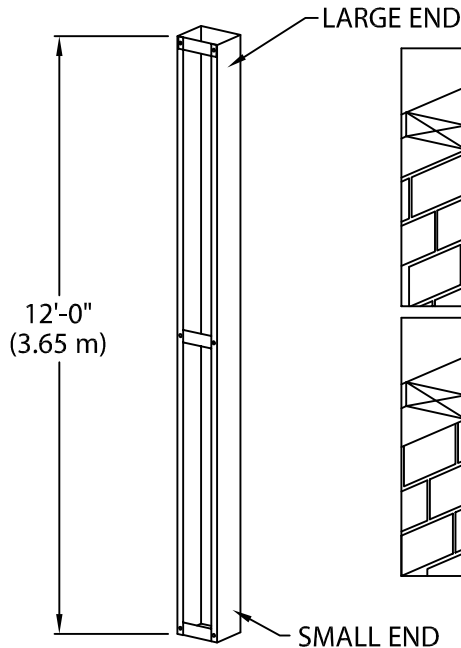
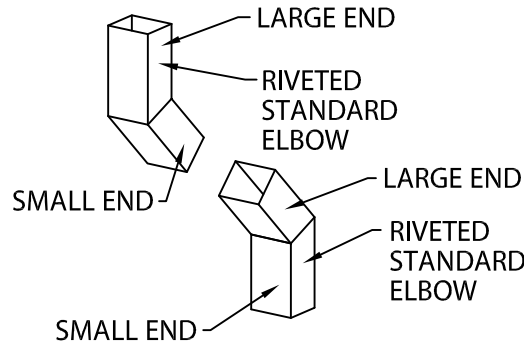


# INDUSTRIAL DOWNSPOUT

OPEN FACE VERSION



----- = PAINTED

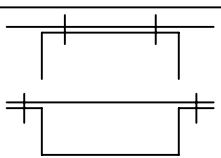


## WALL BRACKETS

(SELECT)

STYLE 1

STYLE 2



Fabrication will proceed only after receipt of signed print approval.

## Print Approval:

Architect and/or contractor shall verify all dimensions, sizes and quantities. All products to be installed in strict accordance with Dow Roofing Systems' printed instructions.

Approved by: \_\_\_\_\_

Date: \_\_\_\_\_

## MATERIAL:

\_\_\_ 24 GA. (0.65 mm) STEEL

\_\_\_ .040" (1.01 mm) ALUM.

\_\_\_ .050" (1.27 mm) ALUM.

\_\_\_ .063" (1.60 mm) ALUM.

\_\_\_ Other : \_\_\_\_\_

Color: \_\_\_\_\_ Finish: \_\_\_\_\_

## QUANTITIES:

\_\_\_\_\_ Lineal Feet 12'-0" (3.65 m) Size \_\_\_\_\_" x \_\_\_\_\_"

\_\_\_\_\_ Outlets

\_\_\_\_\_ Standard Elbows ( \_\_\_\_\_°) Style: A \_\_\_ B \_\_\_

PROJECT:

ARCHITECT:

ROOFING CONTRACTOR:

REPRESENTATIVE/DISTRIBUTOR:

Corporate Offices  
Dow Roofing Systems  
Nine Sullivan Road  
Holyoke, MA 01040  
P: 800-621-ROOF



**ROOFING SYSTEMS**

DATE: 08/20/08

DRN BY: JJC

CKD BY: SAK

SHT.# \_\_\_ OF \_\_\_

DWG# 12013-4048

**D**