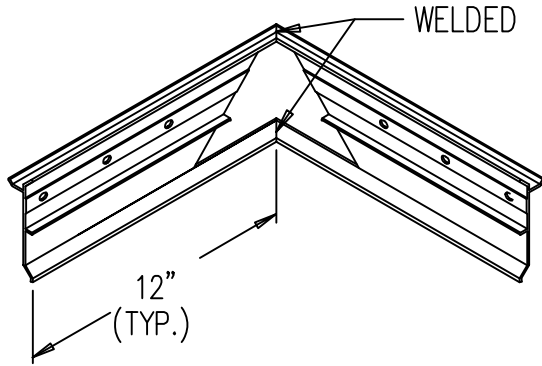


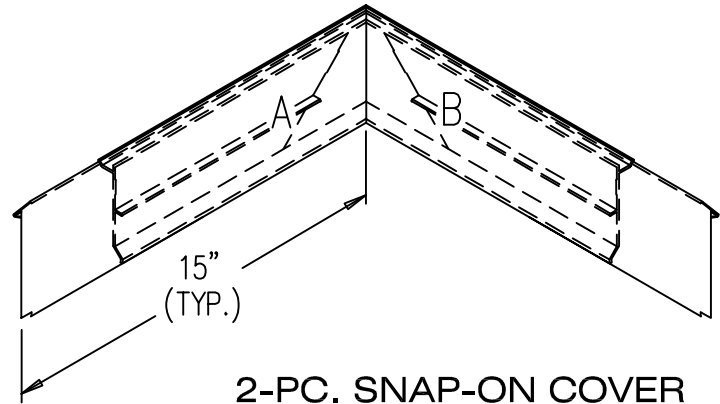
## INSIDE MITER

ROOF SIDE



1-PC. ANCHOR-BAR

ROOF SIDE

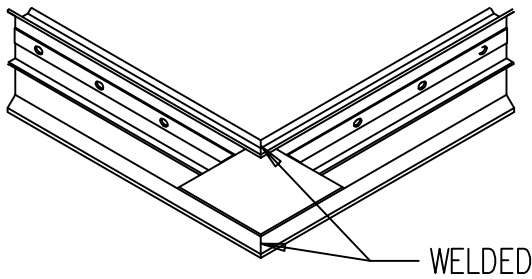


2-PC. SNAP-ON COVER

FASTENERS INCLUDED

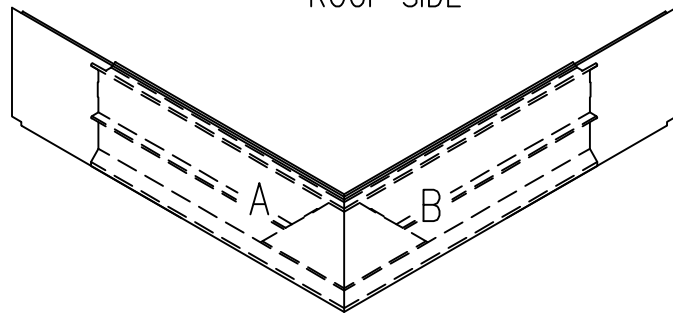
## OUTSIDE MITER

ROOF SIDE



1-PC. ANCHOR-BAR

ROOF SIDE



2-PC. SNAP-ON COVER

NOTE: TREATED WOOD NAILERS REQUIRED.

PROJECT	Customer Service 1-800-355-6416
ARCHITECT	
ROOFING CONTRACTOR	
REPRESENTATIVE/DISTRIBUTOR	



DATE: 08/01/03

DRN BY: JWH

CKD BY: SAK

SHT.# \_\_\_ OF \_\_\_

DWG# 23510-2415

B