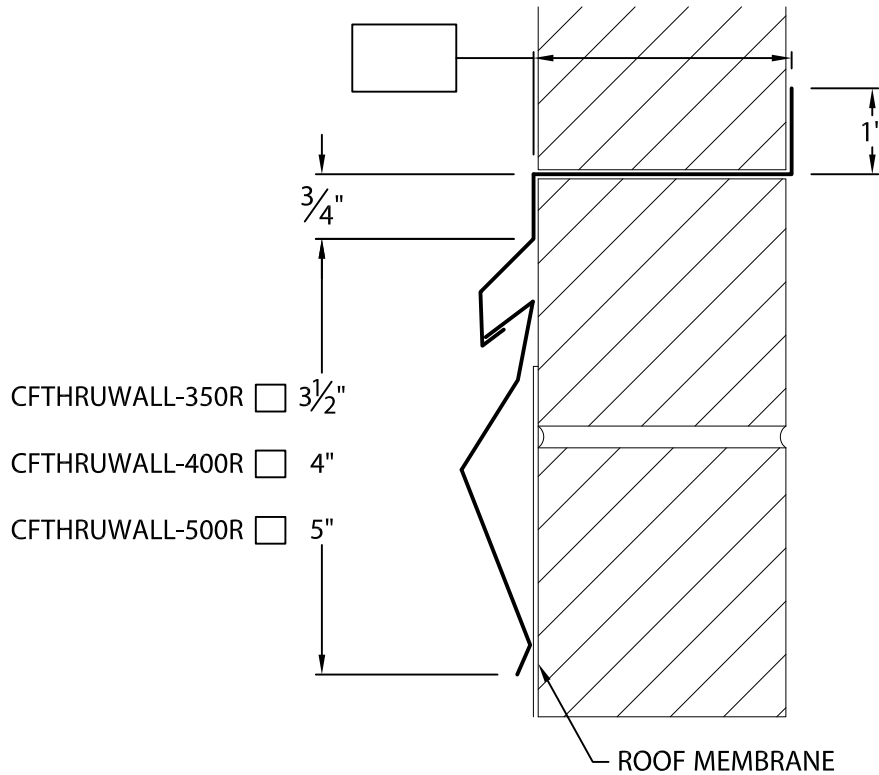


# 2 PC COUNTERFLASHING

THRU-WALL VERSION



NOTE: PRE-NOTCHED LAP JOINT 3"

Fabrication will proceed only after receipt of signed print approval.

## Print Approval:

Architect and/or contractor shall verify all dimensions, sizes and quantities. All products to be installed in strict accordance with Versico, Inc.'s printed instructions.

Approved by: \_\_\_\_\_

Date: \_\_\_\_\_

## MATERIAL:

\_\_ 24 GA. GALVANIZED STEEL

\_\_ .040" ALUMINUM COLOR: \_\_\_\_\_

\_\_ .050" ALUMINUM FINISH: \_\_\_\_\_

\_\_ OTHER \_\_\_\_\_

## QUANTITIES:

\_\_\_\_\_ LINEAL FEET 12'-0" LENGTHS

PROJECT:

ARCHITECT:

ROOFING CONTRACTOR:

REPRESENTATIVE/DISTRIBUTOR:

Customer Service  
800-558-2162  
(Metal-Era)



DATE: 02/14/17

DRN BY: JAB

CKD BY: SAK

SHT.# \_\_\_ OF \_\_\_

DWG# 18015-24500

B