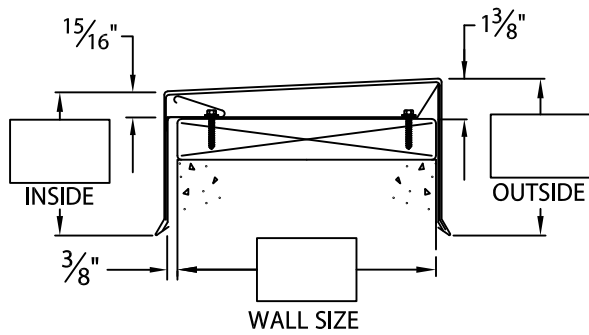
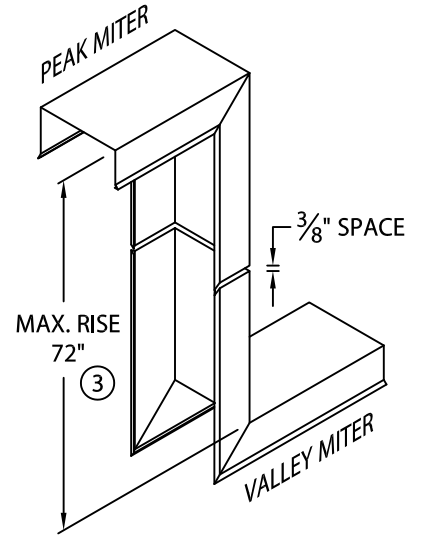
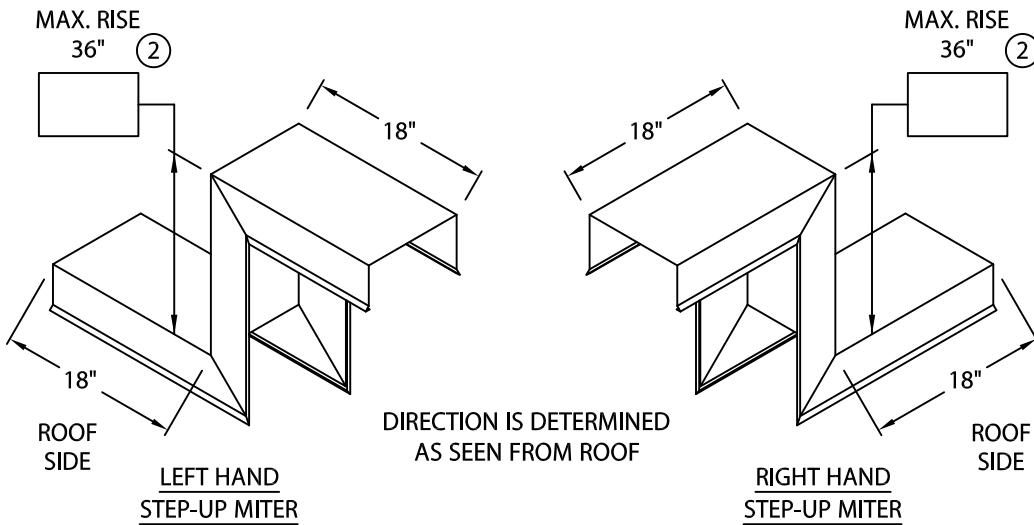


STEP-UP COPING MITERS



PEAK AND VALLEY MITERS
(SEE NOTES 2 & 3)



FOR CUSTOM LEG LENGTHS
MODIFY DRAWINGS ABOVE

NOTES:

- ① WELDED ACCESSORIES REQUIRE A MINIMUM MATERIAL THICKNESS OF .050".
- ② IF MAXIMUM RISE DIMENSION IS EXCEEDED, ACCESSORY WILL BE MANUFACTURED AS ONE 90° PEAK MITER AND ONE 90° VALLEY MITER.
- ③ IF RISE EXCEEDS 72", A STRAIGHT LENGTH WILL BE REQUIRED AND THE PEAK AND VALLEY MITERS REVERT BACK TO STANDARD 18" LENGTHS.

MATERIAL:

- ___ 24 GA. GALVANIZED STEEL
- ___ 22 GA. GALVANIZED STEEL
- ___ .040" ALUMINUM
- ___ .050" ALUMINUM
- ___ .063" ALUMINUM
- ___ OTHER _____

COLOR: _____

FINISH: _____

QUANTITIES:

___ RIGHT HAND STEP-UP MITER

___ LEFT HAND STEP-UP MITER

SPECIFY ACCESSORY TYPE:

- WELDED ①
- QUICKLOCK

AUTHORIZED SIGNATURE: _____

APPROVED BY: _____

DATE: _____

PROJECT: _____

ARCHITECT: _____

ROOFING CONTRACTOR: _____

REPRESENTATIVE/DISTRIBUTOR: _____

Customer Service
1-800-727-9872



DATE: 9/27/21

DRN BY: MLM

CKD BY: MM

SHT.# _____ OF _____

DWG# 20011-25689

C