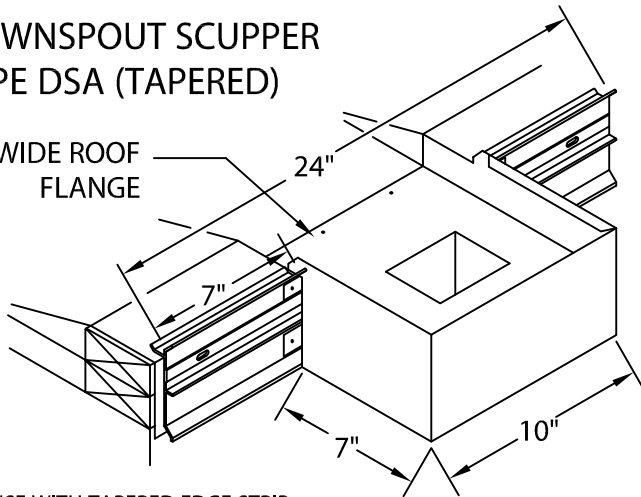


DOW STANDARD FASCIA SCUPPERS

SCUPPERS - FACTORY WELDED CONSTRUCTION

DOWNSPOUT SCUPPER TYPE DSA (TAPERED)

3" WIDE ROOF
FLANGE

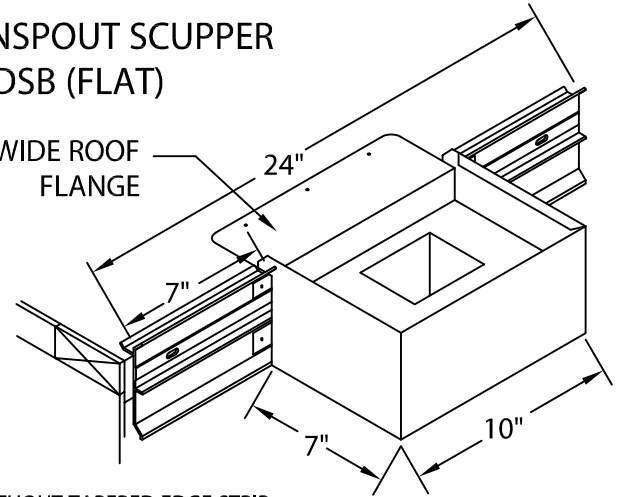


FOR USE WITH TAPERED EDGE STRIP.
FLANGE LOWERED 1 1/2".

NOTE : SPECIFY TUBE SIZE

DOWNSPOUT SCUPPER TYPE DSB (FLAT)

3" WIDE ROOF
FLANGE

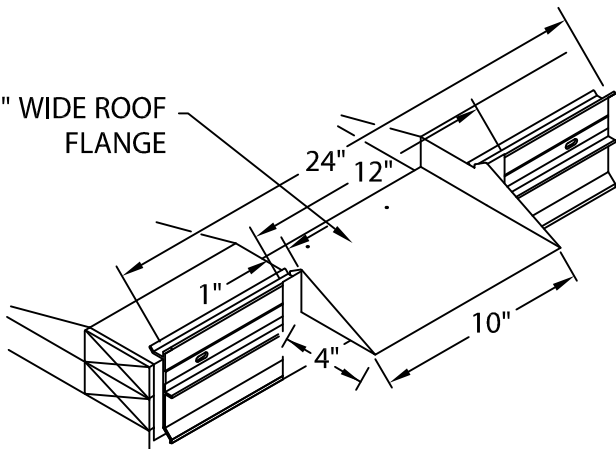


FOR USE WITHOUT TAPERED EDGE STRIP.
FLANGE FLUSH MOUNTED WITH ROOF.

NOTE : SPECIFY TUBE SIZE

SPILOUT SCUPPER TYPE SSA (TAPERED)

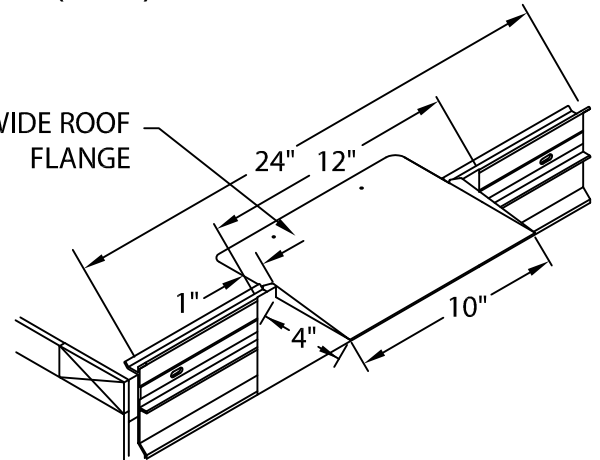
3" WIDE ROOF
FLANGE



FOR USE WITH TAPERED EDGE STRIP.
FLANGE LOWERED 1 1/2".

SPILOUT SCUPPER TYPE SSB (FLAT)

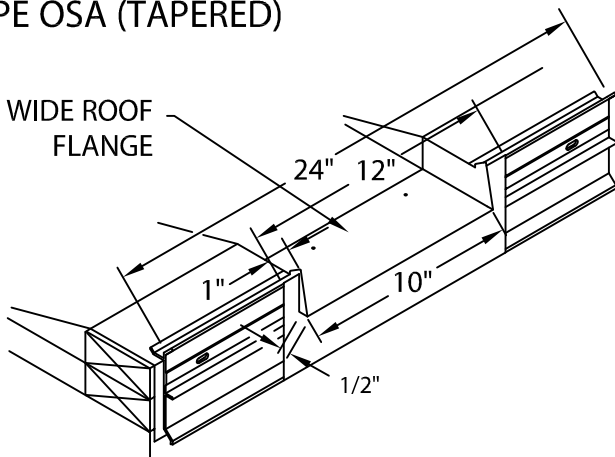
3" WIDE ROOF
FLANGE



FOR USE WITHOUT TAPERED EDGE STRIP.
FLANGE FLUSH MOUNTED WITH ROOF.

OVERFLOW SCUPPER TYPE OSA (TAPERED)

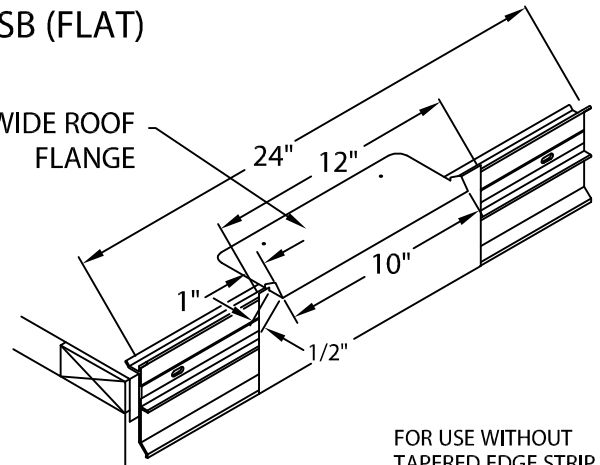
3" WIDE ROOF
FLANGE



FOR USE WITH TAPERED EDGE STRIP.
FLANGE LOWERED 1 1/2".

OVERFLOW SCUPPER TYPE OSB (FLAT)

3" WIDE ROOF
FLANGE



FOR USE WITHOUT
TAPERED EDGE STRIP.
FLANGE FLUSH
MOUNTED WITH ROOF.



ROOFING SYSTEMS

P: 800-621-ROOF

DATE: 02/19/09

DRN BY: JJC

CKD BY: SAK

SHT.# ___ OF ___

DWG# 12510-2882

D