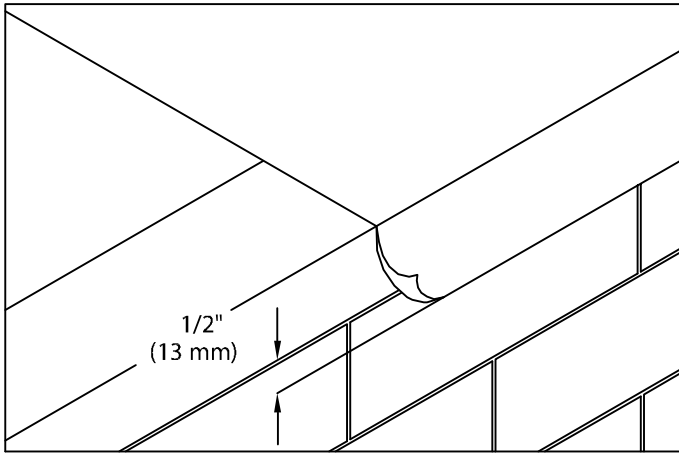


DOW STANDARD FASCIA

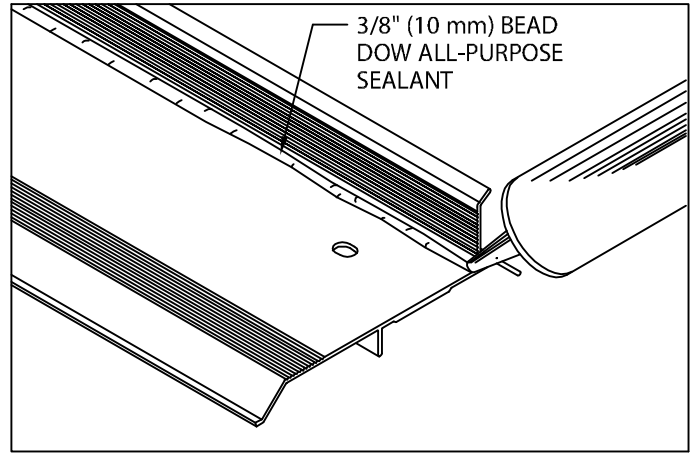
INSTALLATION INSTRUCTIONS



1. Roof Membrane

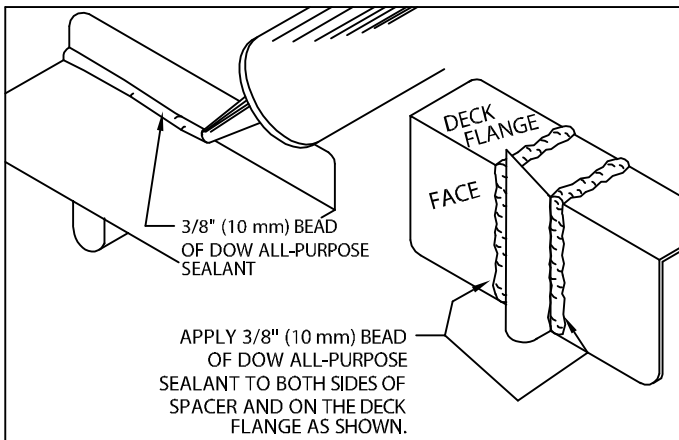
Position Dow Roofing Membrane over the roof edge and down outside face of wall, covering treated wood nailer(s) completely, as shown in standard detail HT-130.

IMPORTANT! Outside edge of treated wood nailer(s) (minimum 2 x 4) shall be aligned flush with or extend slightly past outermost edge of wall.



2. Miter & Scupper Anchor Bar (Preparation)

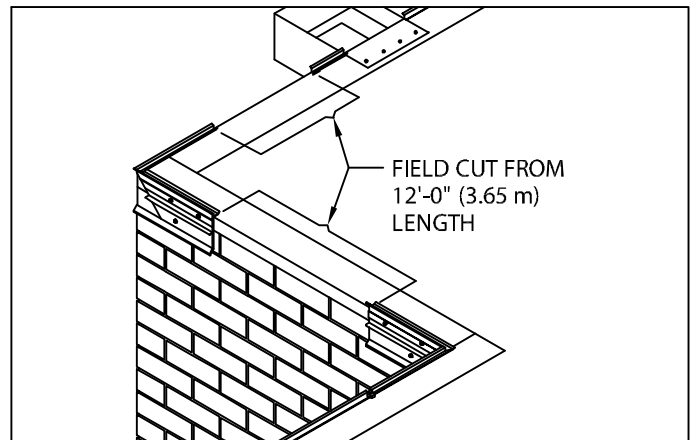
Lay miters and spill out scuppers on deck with outside face down. Be sure aluminum anchor bar is clean and free of dirt or dust. Apply a heavy 3/8" (10 mm) bead of Dow All-Purpose sealant to the right angle intersection of the deck flange and back of anchor bar as shown. Application of sealant is required along the full length of each miter anchor bar.



3. Anchor Bar Splice Plates

Apply Dow All-Purpose Sealant to each splice plate as shown and described in STEP 2.

CAUTION! Installers shall wear protective eye wear to prevent injury. Do not over-drive fasteners, as stripping can occur at high driver torque. Recommended driving tool: 600 - 800 rpm electric drill equipped with depth-sensing nose-piece to prevent driving and stripout. Do not use impact type tool.



4. Miter Bar Installation

Fold roofing membrane at corners and install miters using 2" (51 mm) hex head stainless steel fasteners and driver bit furnished by Dow Roofing Systems. Fasten anchor bar corners to nailer with one splice plate under each end of corner. The anchor bar splice plate must be snug to ends of anchor bar. Next locate and install spill outs and scuppers with sealant, 2" fasteners and anchor bar splice plates



ROOFING SYSTEMS

P: 800-621-ROOF

DATE: 03/01/12

DRN BY: JJC

CKD BY: SAK

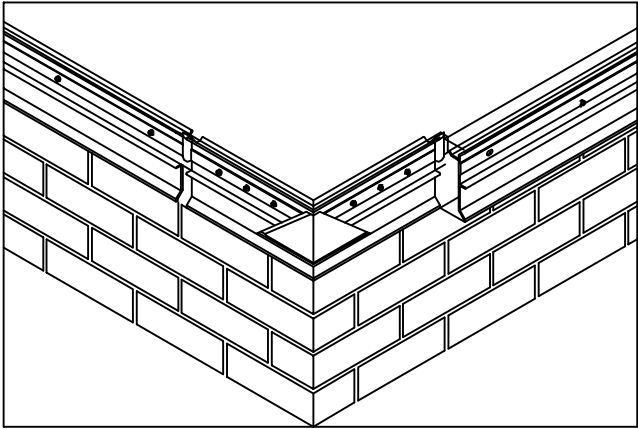
SHT.# 1 OF 2

DWG# 12110-2877

F

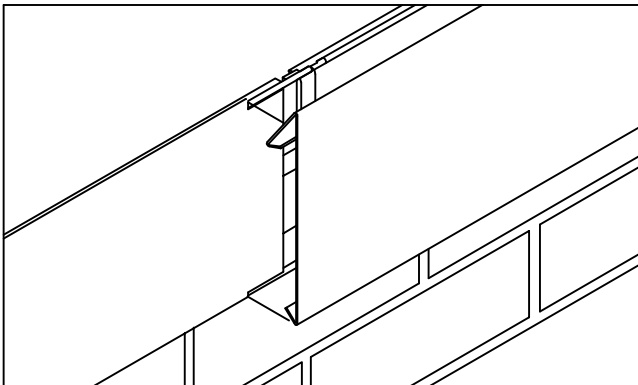
DOW STANDARD FASCIA

INSTALLATION INSTRUCTIONS



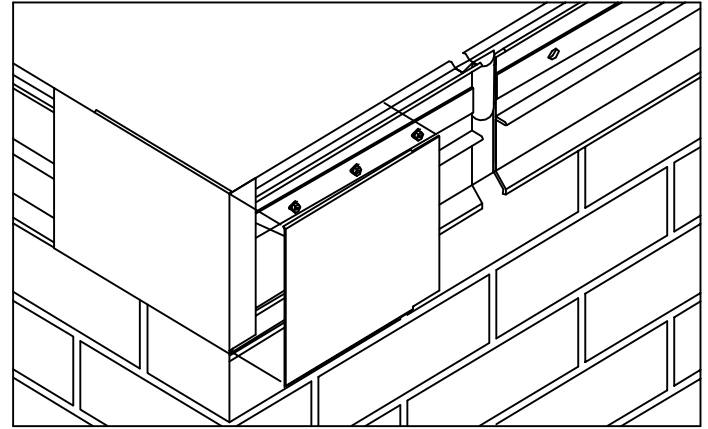
5. Anchor Bar (Installation)

Position 12'-0" (3.65 m) sections of anchor bar with applied Dow All-Purpose Sealant as shown in steps 2 & 3 overlapping anchor splice plate. Allow 1/2" (13 mm) space between anchor bars. Install anchor bar splice plate at other end of 12'-0" (3.65 m) bar. Fasten anchor bar 12" (305 mm) o.c. through slots using 2" (51 mm) stainless steel fasteners provided. Field cut sections as necessary.



7. Fascia Covers

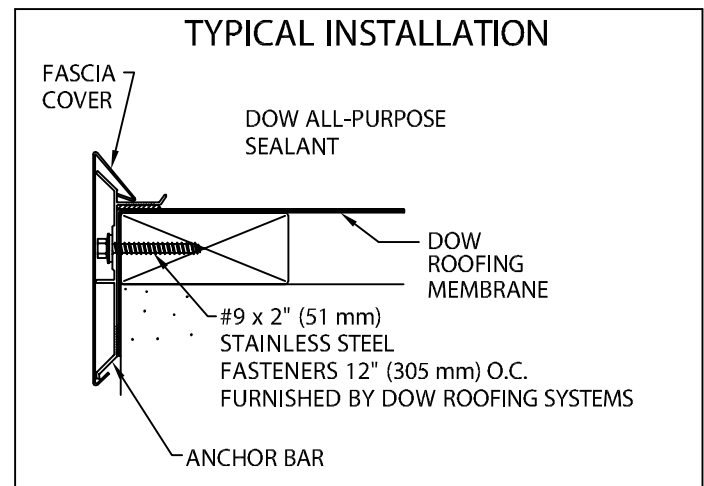
Position 12'-0" (3.65 m) fascia covers on top of anchor bar and overlap preceding cover approximately 1" (25 mm) at notches provided. Fascia covers shall be installed from right to left as seen from rooftop. With fascia covers in correct position atop anchor bar, simply snap each section onto anchor bar by applying downward pressure with palm of the hand until the fascia cover is fully engaged along the entire length. Continue to install fascia covers, field cutting where necessary using fine tooth hacksaw.



6. Fascia Miter Covers

Install 2-piece "snap-on" fascia corner covers first by snapping on fascia corner cover with 90° (degree) tab, followed by fascia corner cover without the tab. Simply position the cover atop bar and with palm of hand apply slight pressure downward until engaged to anchor bar.

IMPORTANT! Be sure to remove protective plastic film prior to installing each fascia section.



ROOFING SYSTEMS

P: 800-621-ROOF

DATE: 03/01/12

DRN BY: JJC

CKD BY: SAK

SHT.# 2 OF 2

DWG# 12110-2877

F