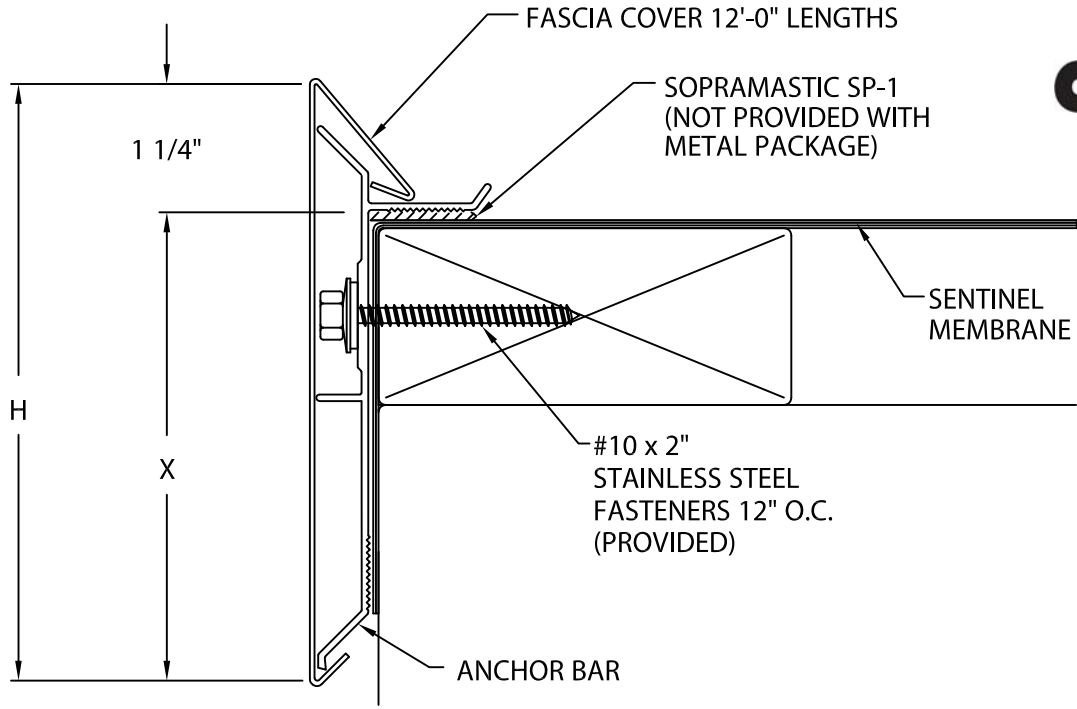




SOPRA-TITE SENTINEL FASCIA

FULLY ADHERED OR MECHANICALLY ATTACHED SINGLE-PLY VERSION

ANSI/SPRI ES-1 DESIGN PRESSURE OF UP TO 275 psf



SOPREMA-TITE SENTINEL FASCIA DIMENSIONS

PRODUCT ID. NO.	H DIM	X DIM	NAILER COVERAGE
<input type="checkbox"/> AF-40	4"	2 3/4"	1 NAILER
<input type="checkbox"/> AF-55	5 1/2"	4 1/4"	2 NAILERS
<input type="checkbox"/> AF-70	7"	5 3/4"	3 NAILERS
<input type="checkbox"/> AF-85	8 1/2"	7 1/4"	4 NAILERS

MATERIAL:

___ 24 Ga. Galv. Steel

___ .040" Aluminum

___ OTHER _____

Color: _____ Finish: _____

Fabrication will proceed only after receipt of signed print approval.

Print Approval:

Architect and/or contractor shall verify all dimensions, sizes and quantities. All products to be installed in strict accordance with SOPREMA's printed instructions.

Approved by: _____

Date: _____

QUANTITIES:

_____ Lineal Feet 12'-0" Lengths

_____ Outside Miter(s) @ 90°

_____ Inside Miter(s) @ 90°

_____ Overflow Scupper Style ___A___B

_____ Spillout Scupper Style ___A___B

_____ Downspout Scupper Style ___A___B

(___X___) Size A: Tapered 1 1/2" Drop

B: Flat

FOR NON-90 MITERS SEE PRINT APPROVAL #33010-20199

PROJECT:

ARCHITECT:

ROOFING CONTRACTOR:

REPRESENTATIVE/DISTRIBUTOR:

800-356-3521

www.soprema.us

310 Quadral Dr. Wadsworth, OH 44281

f: 330-334-6257



DATE: 03/07/19

DRN BY: ZS

CKD BY: SAK

SHT.# ___ OF ___

DWG# 33010-19790

H