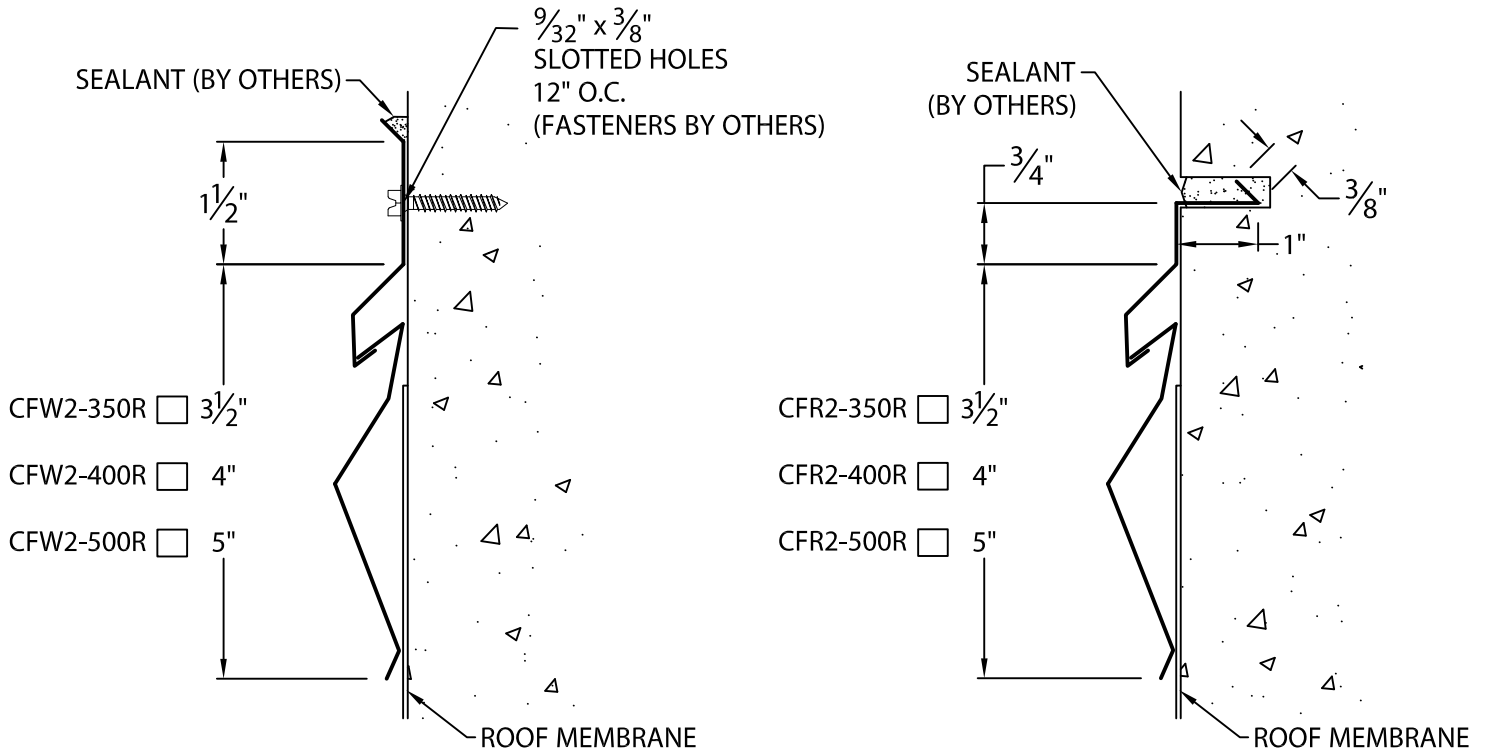


# 2 PC COUNTERFLASHING

REGLET AND SURFACE VERSION



NOTE: PRE-NOTCHED LAP JOINT 3"

Fabrication will proceed only after receipt of signed print approval.

## Print Approval:

Architect and/or contractor shall verify all dimensions, sizes and quantities. All products to be installed in strict accordance with GenFlex's printed instructions.

Approved by: \_\_\_\_\_

Date: \_\_\_\_\_

## MATERIAL:

\_\_ 24 GA. GALVANIZED STEEL

\_\_ .040" ALUMINUM COLOR: \_\_\_\_\_

\_\_ .050" ALUMINUM FINISH: \_\_\_\_\_

\_\_ OTHER \_\_\_\_\_

## QUANTITIES:

\_\_\_\_\_ LINEAL FEET 12'-0" LENGTHS

PROJECT:

ARCHITECT:

ROOFING CONTRACTOR:

REPRESENTATIVE/DISTRIBUTOR:

Customer Service

Phone: 800-558-2162

Fax: 800-373-9156

[www.metalera.com/genflex](http://www.metalera.com/genflex)

DATE: 03/01/21

DRN BY: JJC

CKD BY: MM

SHT.# \_\_\_\_ OF \_\_\_\_

DWG# 22015-24494

C

**GENFLEX**