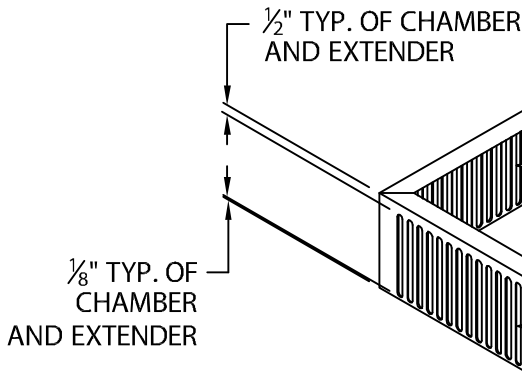
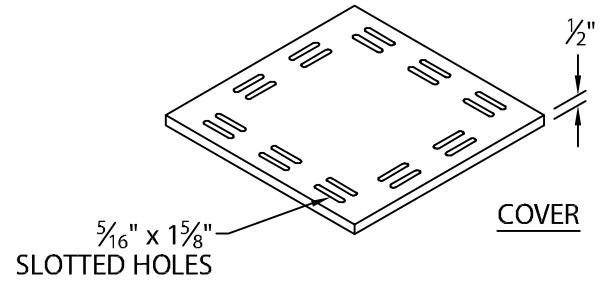
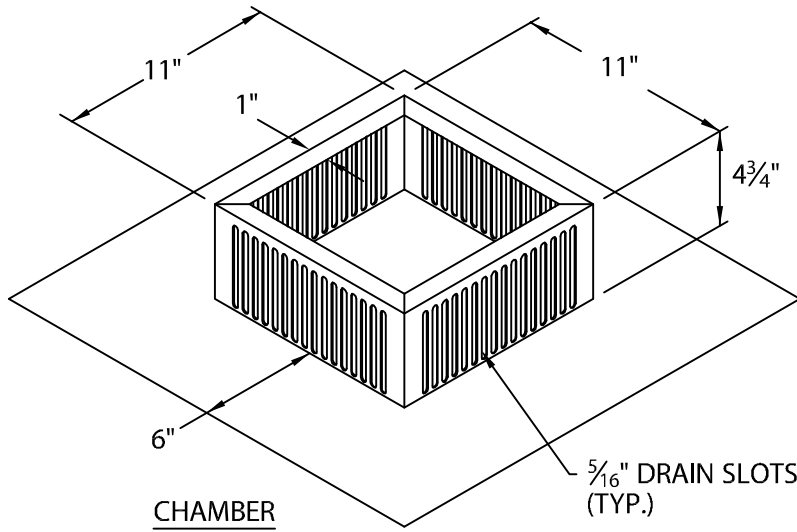
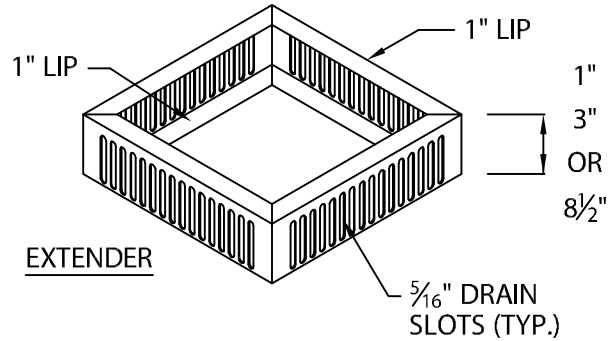


DERBIGUM GARDEN-TITE INSPECTION CHAMBER



SLOT DETAIL



Fabrication will proceed only after receipt of signed print approval.

Print Approval:

Architect and/or contractor shall verify all dimensions, sizes and quantities. All products to be installed in strict accordance with Derbigum's printed instructions.

Approved by: _____

Date: _____

MATERIAL:

.063" (1.60 mm) Mill Finish Alum.

QUANTITIES:

- _____ Amount Required
- _____ 1" (25 mm) Extension
- _____ 3" (76 mm) Extension
- _____ 8 1/2" (216 mm) Extension

PROJECT:

ARCHITECT:

ROOFING CONTRACTOR:

REPRESENTATIVE/DISTRIBUTOR:

Customer Service
1-800-727-9872



DERBIGUM®
MAKING BUILDINGS SMART

DATE: 02/11/17

DRN BY: JJC

CKD BY: SAK

SHT.# ____ OF ____

DWG# 20030-25710

A