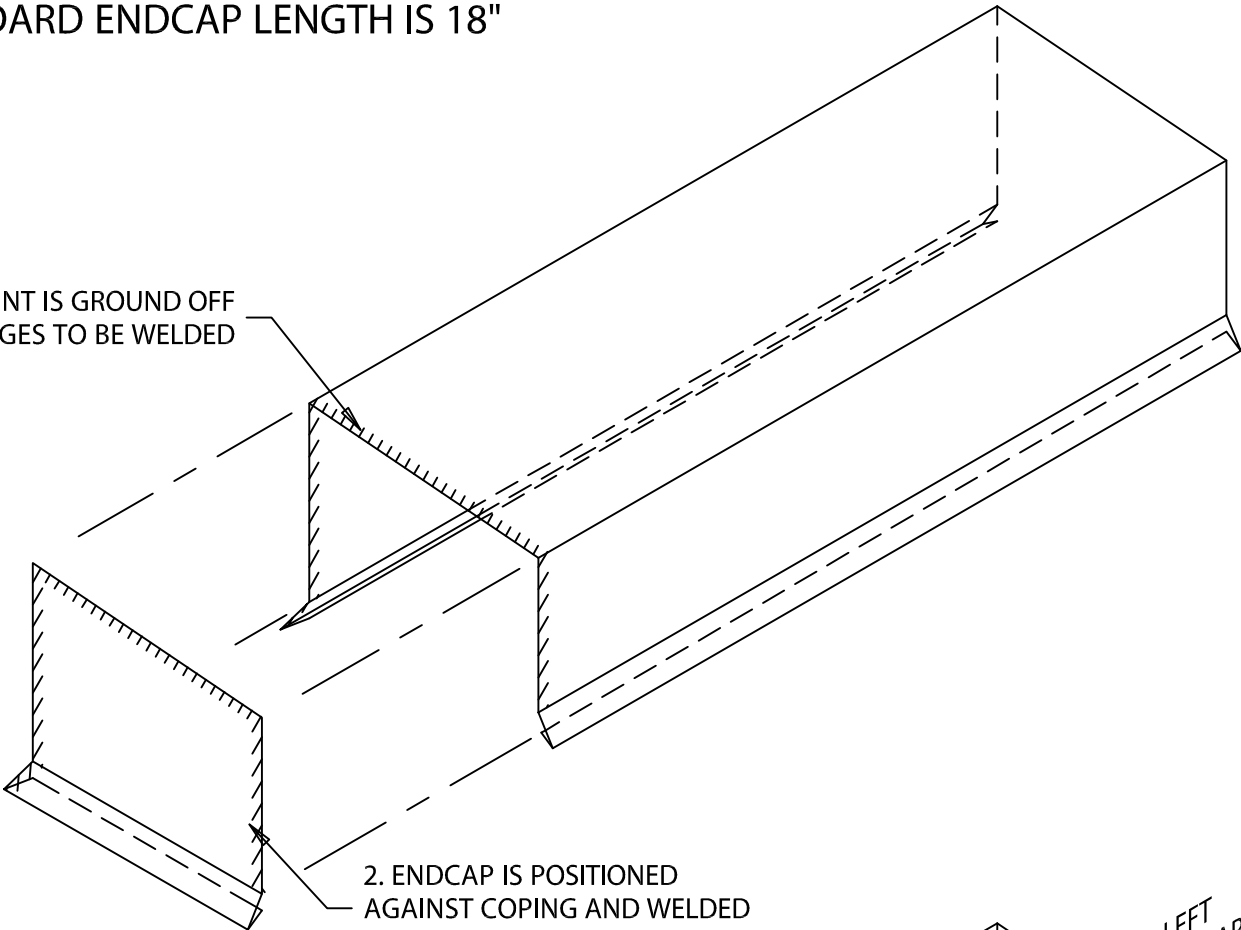


FLEXCAP FLC COPING ENDCAPS

WELDED PRE-FINISHED ENDCAP ASSEMBLY

STANDARD ENDCAP LENGTH IS 18"

1. PAINT IS GROUND OFF
EDGES TO BE WELDED



2. ENDCAP IS POSITIONED
AGAINST COPING AND WELDED
INTO PLACE

3. WELDED AREAS ARE
PRIMED AND FINISHED
WITH AIR DRY PAINT

OUTSIDE
FACE

LEFT
ENDCAP

INSIDE
FACE

WELDED ENDCAPS
ARE FABRICATED
WITH FULLY WELDED
OUTSIDE CORNERS

Flex™

Customer Service
Phone: 800-969-0108
Fax: 610-916-9501

DATE: 12/13/10
DRN BY: JJC
CKD BY: SAK

SHT.# ___ OF ___
DWG# 28511-3467

C