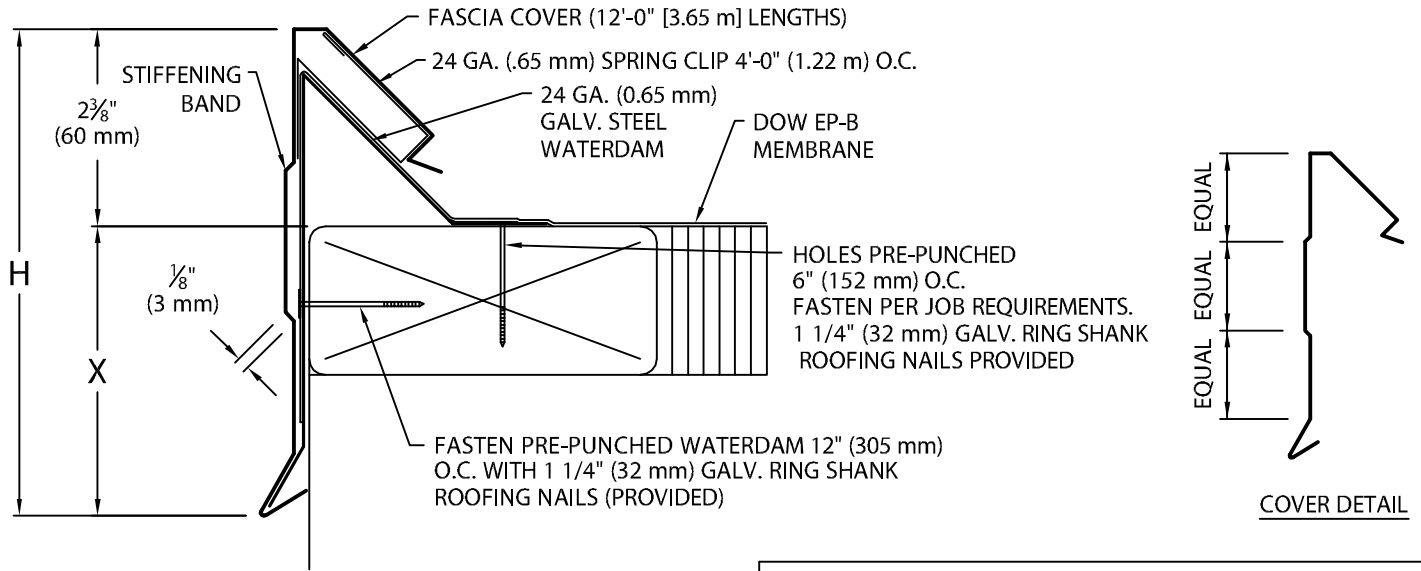


DOW SYSTEM 200 FASCIA

SNAP-ON VERSION

ANSI/SPRI ES-1 DESIGN PRESSURE OF 110 psf

WITH STIFFENING BAND



Fascia is to be installed per Specifications and Dow Roofing Systems' Installation Instructions Dwg. # 12110-11483.

NOTE: -- Unless otherwise noted, fabrication of miters and accessories are furnished standard.

NOTE:

FASCIA INCLUDES 3 1/2" (89 mm) WIDE SPLICE PLATES AT ALL JOINTS

-- Welded Miters

Check one Required (surcharge) Not applicable

DOW SYSTEM 200 FASCIA DIMENSIONS

PRODUCT ID. NO.	H DIM	X DIM	NAILER COVERAGE
<input type="checkbox"/> FA-95S	9 3/4" (248 mm)	7 3/8" (187 mm)	4 NAILERS
<input type="checkbox"/> FA-110S	11 1/4" (286 mm)	8 7/8" (225 mm)	5 NAILERS
<input type="checkbox"/> FA-125S	12 3/4" (324 mm)	10 3/8" (264 mm)	6 NAILERS

MATERIAL:

___ 24 Ga. (.65 mm) Galv. Color: _____
 ___ .040" (1.01 mm) Alum. Finish: _____
 ___ .050" (1.27 mm) Alum.
 ___ .063" (1.60 mm) Alum.
 ___ OTHER _____

QUANTITIES:

_____ Lineal Feet 12'-0" (3.65 m) Lengths
 _____ Outside Miter(s) @ (_____)°
 _____ Inside Miter(s) @ (_____)°
 _____ Right Endcap(s)
 _____ Left Endcap(s)
 _____ Right Endwall Flashing(s)
 _____ Left Endwall Flashing(s)
 _____ Overflow Scupper(s) Style ___A___B
 _____ Spillout Scupper(s) Style ___A___B
 _____ Downspout Scupper(s) Style ___A___B
 (____X____) Size A: Tapered 1 1/2" (38 mm) Drop
 B: Flat

Fabrication will proceed only after receipt of signed print approval.

Print Approval:

Architect and/or contractor shall verify all dimensions, sizes and quantities. All products to be installed in strict accordance with Dow Roofing Systems' printed instructions.

Approved by: _____

Date: _____

PROJECT:

ARCHITECT:

ROOFING CONTRACTOR:

REPRESENTATIVE/DISTRIBUTOR:

Corporate Offices
 Dow Roofing Systems
 Nine Sullivan Road
 Holyoke, MA 01040
 P: 800-621-ROOF



ROOFING SYSTEMS

DATE: 04/11/14

DRN BY: JJC

CKD BY: SAK

SHT.# ___ OF ___

DWG# 12310-11495

D