



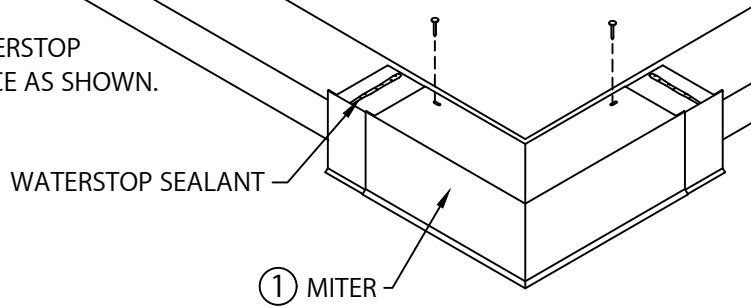
SOPREMA GRAVEL STOP

WITH CONTINUOUS CLEAT

INSTALLATION INSTRUCTIONS

NOTE: INSTALL MITERS FIRST.

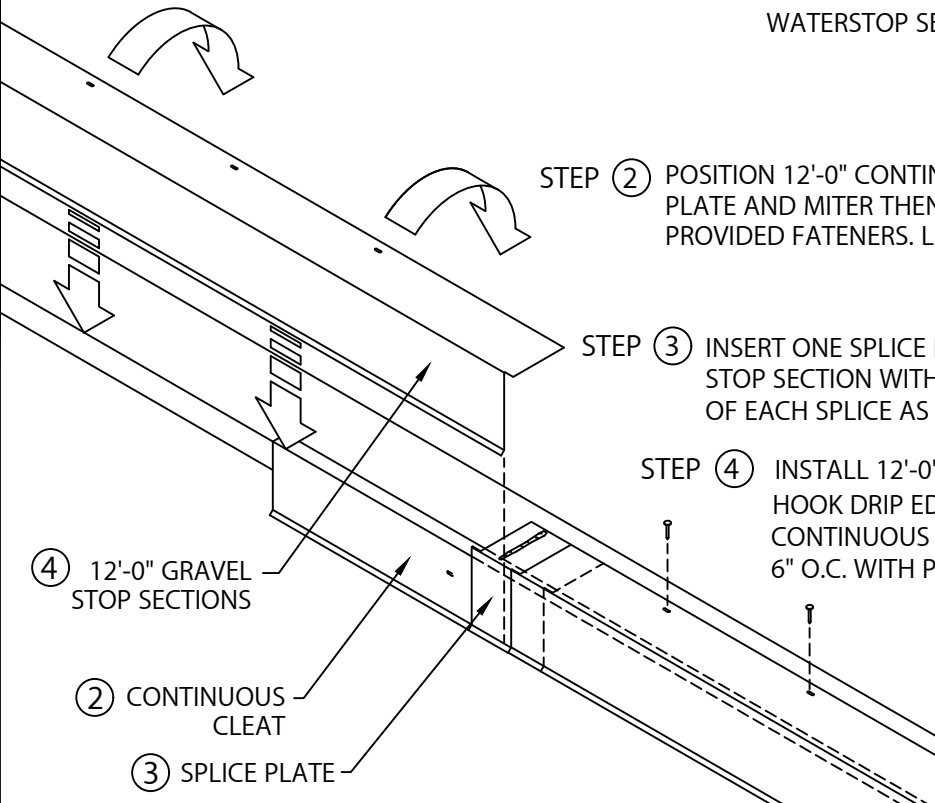
STEP ① INSTALL GRAVEL STOP MITERS FIRST. INSERT ONE SPLICE PLATE UNDER EACH END OF MITER WITH WATERSTOP SEALANT TO BE FIELD APPLIED TO TOP OF EACH SPLICE AS SHOWN. FASTEN WITH PROVIDED FASTENERS.



STEP ② POSITION 12'-0" CONTINUOUS CLEAT SECTIONS UNDER SPLICE PLATE AND MITER THEN FASTEN 12" O.C. AS SHOWN WITH PROVIDED FASTENERS. LAP CONTINUOUS CLEAT 1" AT JOINTS.

STEP ③ INSERT ONE SPLICE PLATE UNDER LEFT END OF 12'-0" GRAVEL STOP SECTION WITH SEALANT TO BE FIELD APPLIED TO TOP OF EACH SPLICE AS SHOWN.

STEP ④ INSTALL 12'-0" GRAVEL STOP SECTIONS. HOOK DRIP EDGE OF EACH GRAVEL STOP SECTION ONTO CONTINUOUS CLEAT, ROTATE INTO PLACE, AND FASTEN 6" O.C. WITH PROVIDED FASTENERS.

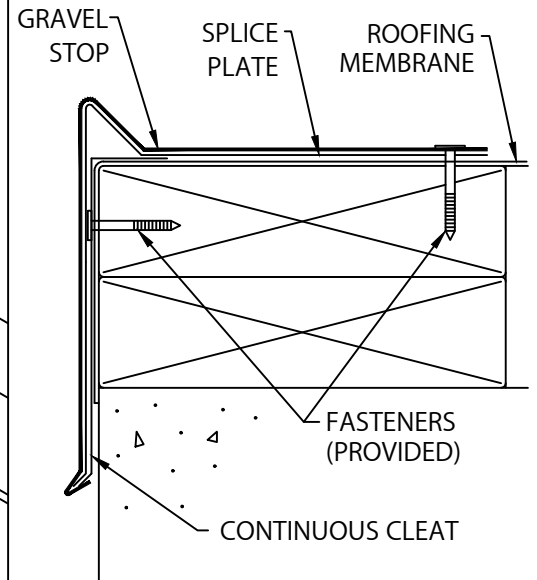


④ 12'-0" GRAVEL STOP SECTIONS

② CONTINUOUS CLEAT

③ SPLICE PLATE

TYPICAL INSTALLATION



FASTEN GRAVEL STOP AND CONTINUOUS CLEAT WITH PROVIDED FASTENERS

⑤ 3/8" SPACE AT EACH JOINT

STEP ⑤ CONTINUE BY INSTALLING GRAVEL STOP SECTIONS ALLOWING A 3/8" SPACE BETWEEN SECTIONS AS SHOWN. FIELD CUT AS NECESSARY.

CAUTION: REMOVE PROTECTIVE FILM IMMEDIATELY AFTER INSTALLATION. INSTALLERS SHALL WEAR PROTECTIVE EYEWEAR TO PREVENT INJURY.



800-356-3521
www.soprema.us

310 Quadral Dr.
Wadsworth, OH 44281
f: 330-334-6257

DATE: 04/04/22
DRN BY: MLM
CKD BY: MM

SHT.# ___ OF ___

DWG# 33110-25343

B