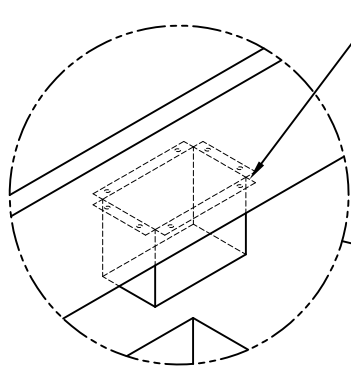


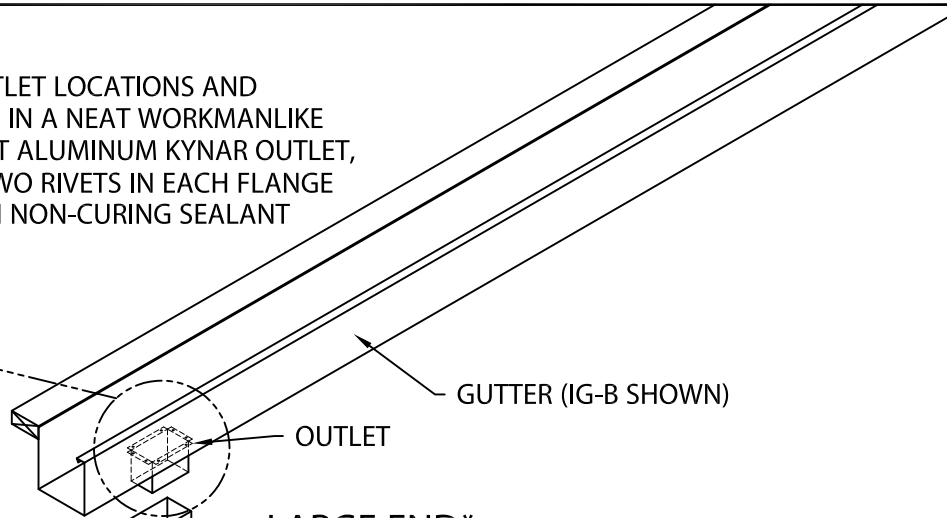
# INDUSTRIAL DOWNSPOUT

CLOSED DOWNSPOUT, STYLE 2 DOWNSPOUT STRAP VERSION

## INSTALLATION INSTRUCTIONS



DETERMINE OUTLET LOCATIONS AND FIELD CUT HOLE IN A NEAT WORKMANLIKE MANNER. INSERT ALUMINUM KYNAR OUTLET, FASTEN WITH TWO RIVETS IN EACH FLANGE AND SEAL, WITH NON-CURING SEALANT



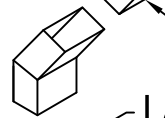
GUTTER (IG-B SHOWN)

OUTLET

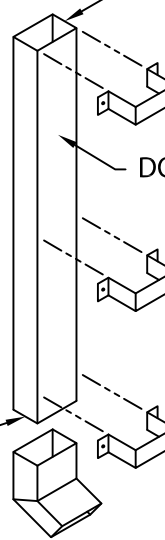
LARGE END\*

STANDARD ELBOW (STYLE A SHOWN)

SMALL END\*



LARGE END\*



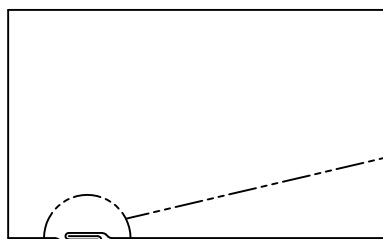
DOWNSPOUT (12'-0" LENGTHS)

STYLE 2 DOWNSPOUT STRAPS  
2" WIDE  
TYPICAL 3 PER 12'-0" LENGTH  
OF DOWNSPOUT. MOUNTED  
IN FRONT OF DOWNSPOUT

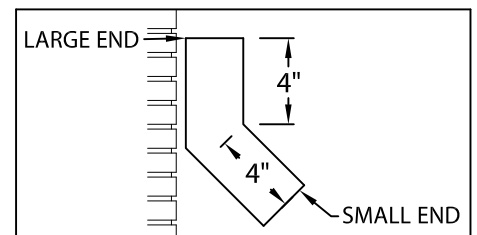
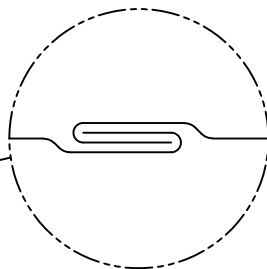
SMALL END\*

\* TO DETERMINE WHICH END IS THE LARGE END AND WHICH END IS THE SMALL END, THE DOWNSPOUT WILL NEED TO BE MEASURED. AS AN EXAMPLE, ON A 4" x 6" DOWNSPOUT THE LARGE END WOULD BE 4" x 6" AND THE SMALL END WOULD BE 3<sup>7</sup>/<sub>8</sub>" x 5<sup>7</sup>/<sub>8</sub>".

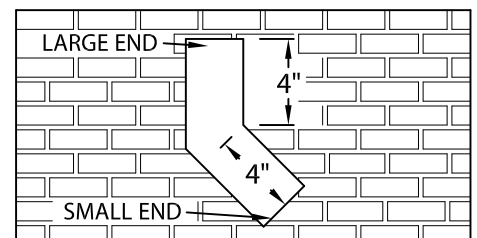
### DOWNSPOUT SECTION



DOWNSPOUT  
SNAP LOCK SEAM



STYLE A DOWNSPOUT



STYLE B DOWNSPOUT