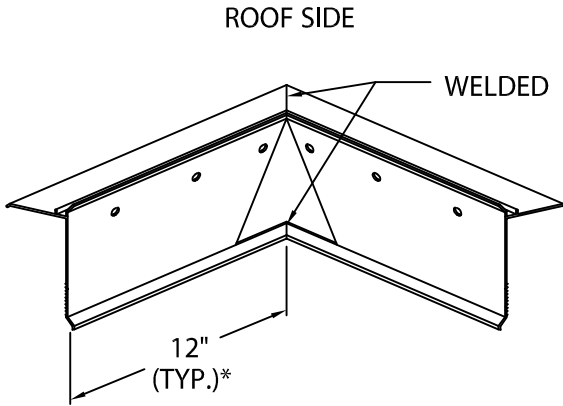


PRESTO-TITE FASCIA MITERS

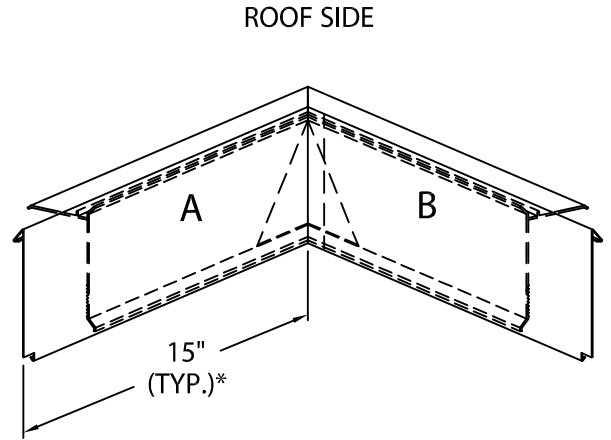
BUILT-UP OR MODIFIED VERSION

MITERS - FACTORY WELDED CONSTRUCTION

INSIDE MITER



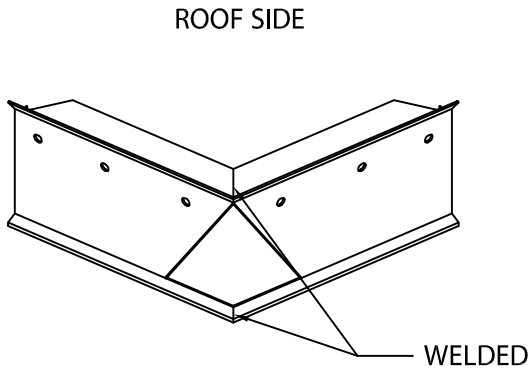
1-PC. ANCHOR-BAR



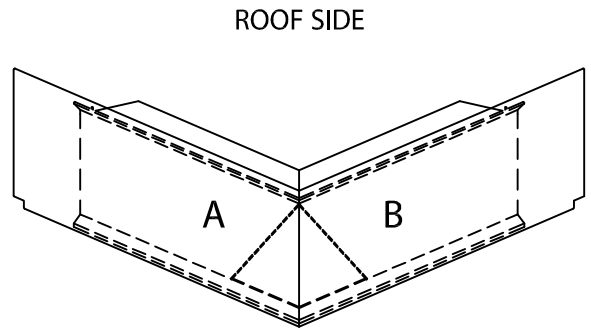
2-PC. SNAP-ON COVER

FASTENERS INCLUDED

OUTSIDE MITER



1-PC. ANCHOR-BAR



2-PC. SNAP-ON COVER

NOTE: TREATED WOOD NAILERS REQUIRED.

* CUSTOM LENGTHS (LONGER)
HAVE A SURCHARGE

PROJECT:

ARCHITECT:

ROOFING CONTRACTOR:

REPRESENTATIVE/DISTRIBUTOR:

51 Lexington Street; Lewiston, ME 04240
 CUSTOMER SERVICE: 800-223-8317 USA
 800-445-1500 Canada
 TECHNICAL SERVICE: 800-445-1500 USA & Canada
 FAX: 207-784-0125
 OTHER AREAS CALL: 207-784-0123



DATE: 12/07/05

DRN BY: JJC

CKD BY: SAK

SHT.# ___ OF ___

DWG# 16510-2183

A