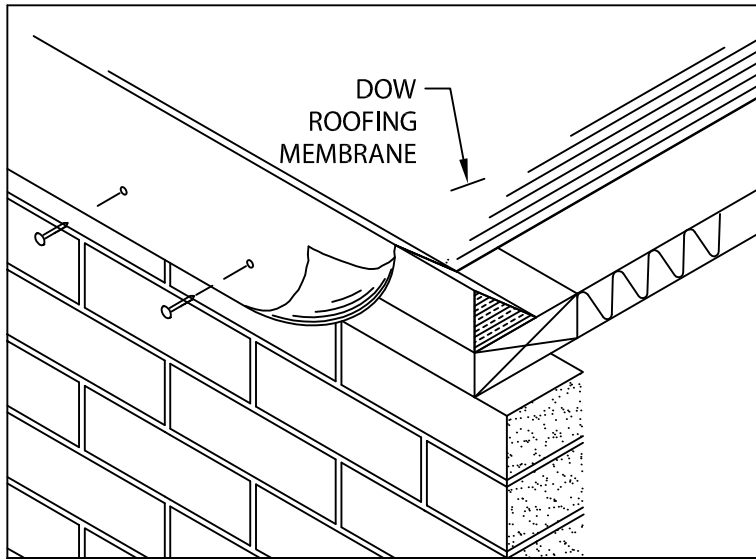


DOW CANTED OR EXTENDED CANTED FASCIA

EXISTING BEVELED WOOD NAILER VERSION

INSTALLATION INSTRUCTIONS

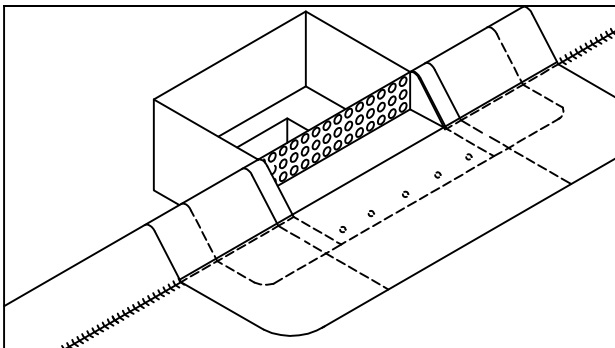


1. TYPICAL ROOFING MEMBRANE APPLICATION

APPLY DOW ROOFING MEMBRANE OVER THE CANT BLOCK AND EXTEND OVER THE FRONT FACE OF NAILER MAKING SURE NAILER IS COVERED.

NOTE : FOLLOW GENERAL RECOMMENDATIONS OF DOW ROOFING SYSTEMS APPLICATION OF MATERIALS OVER THE ROOF EDGE.

CAUTION : INSTALLERS SHALL WEAR PROTECTIVE EYEWEAR TO PREVENT SERIOUS INJURY.



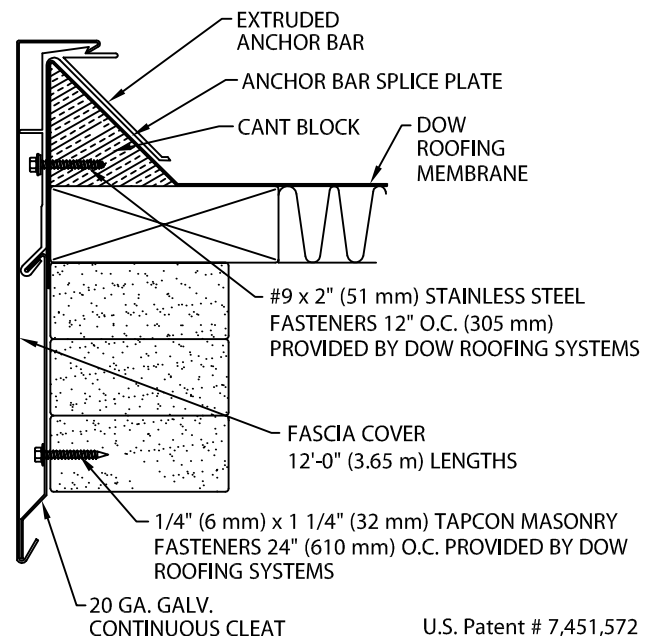
2. SCUPPERS

INSTALL SPILLOUT OR DOWNSPOUT SCUPPERS (IF APPLICABLE) AT PREDETERMINED LOCATIONS.

NOTE : ROOF MEMBRANE IS INSTALLED UNDER SCUPPER. SCUPPER FLANGE IS SET IN A CONTINUOUS BEAD OF DOW ALL-PURPOSE SEALANT.

NOTE : FOLLOW GENERAL RECOMMENDATIONS OF DOW ROOFING SYSTEMS APPLICATION ON STRIPPING IN THE SCUPPER.

TYPICAL INSTALLATION



ROOFING SYSTEMS

P: 800-621-ROOF

DATE: 02/24/09

DRN BY: JJC

CKD BY: SAK

SHT.# 1 OF 2

DWG# 12110-2950

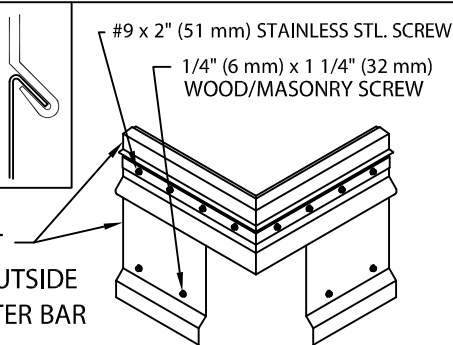
F

DOW CANTED OR EXTENDED CANTED FASCIA

EXISTING BEVELED WOOD NAILER VERSION

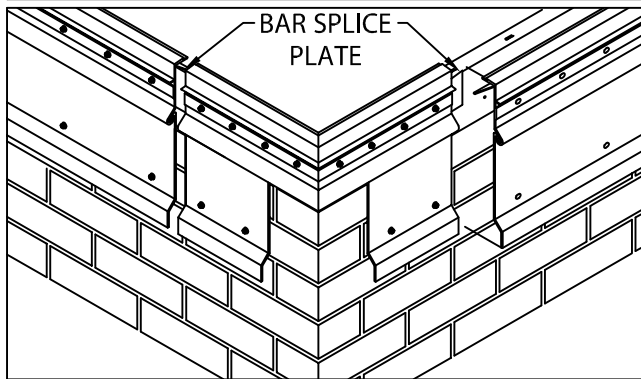
INSTALLATION INSTRUCTIONS

IMPORTANT!
CLEAT MUST
BE HOOKED
INTO MITER
BAR BEFORE
INSTALLING!



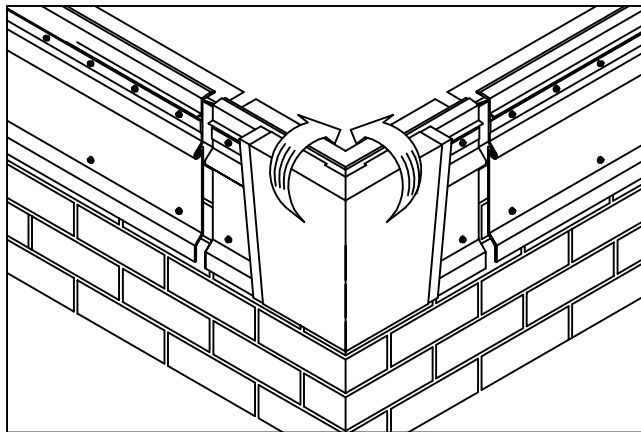
3. MITER BAR & MITER CLEAT INSTALLATION

HOOK MITER CLEAT PIECES TO MITER BAR. FLUSH ENDS OF MITER CLEAT PIECE AND MITER BAR. INSTALL MITER ASSEMBLY WITH ONE ANCHOR BAR SPLICE PLATE UNDER EACH END OF MITER BAR. FASTEN THE MITER BAR USING 2" (51 mm) HEX HEAD STAINLESS STEEL FASTENERS. FASTENERS AND DRIVE BITS PROVIDED BY DOW ROOFING SYSTEMS. NEXT LOCATE AND INSTALL THE SPILLOUTS AND SCUPPERS WITH FASTENERS AND SPLICE PLATES.



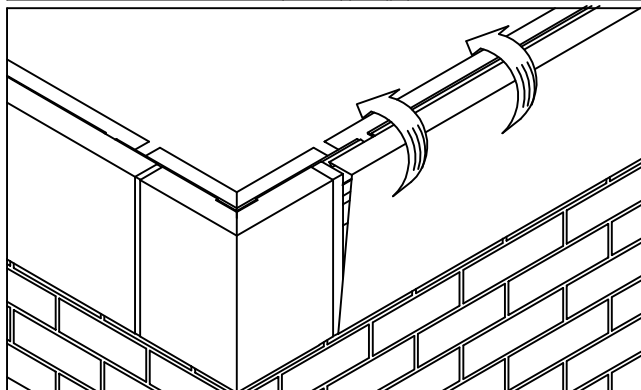
4. ANCHOR BAR & CLEAT INSTALLATION

HOOK ANCHOR CLEAT TO ANCHOR BAR AS SHOWN IN STEP 3. POSITION 12'-0" (3.65 m) ANCHOR BAR/CLEAT SECTIONS OVERLAPPING BAR SPLICE PLATE. ALLOW 3/8" (10mm) SPACE BETWEEN ANCHOR BARS. INSTALL BAR SPLICE PLATE AT OTHER END OF BAR/CLEAT SECTION. FASTEN ANCHOR BAR 12" (305 mm) O.C. THROUGH THE SLOTTED HOLES USING PROVIDED 2" (51 mm) FASTENERS. FASTEN ANCHOR CLEAT 24" (610 mm) O.C. THROUGH SLOTTED HOLES USING PROVIDED 1 1/4" (32 mm) FASTENERS. FIELD CUT SECTIONS AS IS NECESSARY.



5. FASCIA MITERS COVERS

INSTALL MITER COVERS FIRST. INSERT ONE SPLICE PLATE UNDER EACH END OF MITER COVER. INSTALL MITER COVERS BY ENGAGING MITER COVER ONTO ANCHOR CLEAT AND ROTATING MITER COVER UP AND OVER ANCHOR BAR MITER UNTIL ENGAGED ALONG ENTIRE LENGTH OF THE ANCHOR BAR.



6. FASCIA COVERS

INSTALL 12'-0" (3.65 m) FASCIA COVER SECTIONS. ALLOW A 3/8" (10 mm) GAP BETWEEN FASCIA COVER SECTIONS. INSERT ONE SPLICE PLATE UNDER FAR END OF EACH FASCIA COVER SECTION. INSTALL COVER BY HOOKING LOWER EDGE OF COVER ONTO ANCHOR CLEAT AND ROTATING COVER UP AND OVER ANCHOR BAR UNTIL ENGAGED ALONG ENTIRE LENGTH OF COVER SECTION. CONTINUE TO INSTALL COVER SECTIONS IN THIS MANNER, FIELD CUTTING WHERE NECESSARY USING A FINE TOOTH HACKSAW.

IMPORTANT !

Be sure to remove protective film prior to installing each fascia section.



ROOFING SYSTEMS

P: 800-621-ROOF

DATE: 02/24/09

DRN BY: JJC

CKD BY: SAK

SHT.# 2 OF 2

DWG# 12110-2950

F